



*Forevermark*  
cabinetry™



DEALER CATALOG

[www.forevermarkcabinetry.com](http://www.forevermarkcabinetry.com)



*The Shekia Group, llc*



# OUR COMMITMENT TO QUALITY

## EPA TSCA TITLE VI COMPLIANT

TSG is constantly striving to meet and surpass all requirements for high quality cabinetry. As such, Forevermark Cabinetry products meet the United States Environmental Protection Agency (EPA)'s current standards for compliance with TSCA Title VI. Labeling indicating compliance is on each box and product. EPA's TSCA Title VI, the Formaldehyde Standards for Composite Wood Products Act, establishes the world's most stringent formaldehyde emissions standards for composite wood products. For more information, please feel free to email [tsg@tsgcabinets.com](mailto:tsg@tsgcabinets.com) or visit [www.epa.gov](http://www.epa.gov).



## Kitchen Cabinet Manufacturers Association\*

TSG is proud to offer assembled cabinets that are KCMA certified. KCMA certified cabinets are recognized in the marketplace as a quality product able to perform after a rigorous battery of tests simulating years of household use. For more information, please feel free to contact our offices or visit [www.kcma.org](http://www.kcma.org).



## National Kitchen & Bath Association

TSG is a member at the National Kitchen & Bath Association. Being part of this association keeps us informed with the latest news and developments in the industry. For more information, please feel free to contact our offices or visit [www.nkba.org](http://www.nkba.org).



\*Applicable to certain lines only, contact us for more information.

# GREENGUARD GOLD CERTIFIED

from UL Environment

Forevermark Cabinetry is proud to further demonstrate our commitment to the well-being of our customers by offering select lines with UL Environment's GREENGUARD GOLD certification.

The GREENGUARD Certification Program (formerly known as GREENGUARD Indoor Air Quality Certification) gives assurance that products designed for use in indoor spaces meet strict chemical emissions limits, which contribute to the creation of healthier interiors. GREENGUARD Gold Certification (formerly known as GREENGUARD Children & Schools Certification) offers stricter certification criteria, considers safety factors to account for sensitive individuals (such as children and the elderly), and ensures that a product is acceptable for use in environments such as schools and healthcare facilities. It is referenced by both The Collaborative for High Performance Schools (CHPS) and the Leadership in Energy and Environmental Design (LEED) Building Rating System.

What is UL Environment, and what is the GREENGUARD Certification Program?

UL is a global independent safety science company with more than a century of expertise innovating safety solutions from the public adoption of electricity to new breakthroughs in sustainability, renewable energy and nanotechnology. GREENGUARD Certification is part of UL Environment, a business unit of UL (Underwriters Laboratories). GREENGUARD Certification helps manufacturers create—and helps buyers identify—interior products and materials that have low chemical emissions, improving the quality of the air in which the products are used.

GREENGUARD Certification standards have established performance-based standards to define products and processes with low chemical and particle emissions for use indoors. The standards establish certification procedures including test methods, allowable emission levels, product sample collection and handling, testing type and frequency as well as program application processes, toxicity limits and acceptance.

GREENGUARD Certification strives to protect human health and quality of life by establishing standards and certification programs to reduce exposure to chemicals and to improve indoor air quality. The GREENGUARD standards are among the most stringent indoor air quality standards in the world, and they are based on available standards and guidelines from national and international public health agencies.

What does GREENGUARD certification do?

Volatile organic compounds (VOCs) are chemicals that are released into the air from everyday furnishings, building materials and products—items like office furniture, flooring, wall coverings and cleaners. Once airborne, VOCs can easily be inhaled by building occupants and trigger a number of health problems.

The GREENGUARD Certification mark communicates that representative samples of a product have undergone rigorous scientific testing to meet some of the world's most stringent chemical emissions requirements. This certification helps reduce indoor air pollution and the potential for airborne chemical exposure.

The GREENGUARD Certification standard addresses the needs of the commercial building industry, focusing on products like building materials, seating, and systems furniture. This standard screens for more than 10,000 chemicals and places stringent limits on over 360 VOCs, including formaldehyde. All UL Environment's GREENGUARD standards also include a maximum allowable TVOC level, or "cap" on the level of all VOCs combined, to account for a product's total emissions.

## GREENGUARD GOLD CERTIFIED CONTINUED...

How can GREENGUARD Certification help your business?

Demand for low-emitting products has increased significantly during the past decade. The GREENGUARD Certification program gives you the opportunity to appeal to this growing market by demonstrating that our products contribute to the health and well-being of building occupants.

What else can GREENGUARD Certification be used for?

GREENGUARD Certification is recognized and referenced in numerous building programs, standards and specifications around the world. Products with GREENGUARD Certification or GREENGUARD Gold Certification can contribute to the achievement of points in established green building rating systems, satisfy code or ordinance criteria and meet indoor air quality specific RFP requirements.

The scientific rigor of the GREENGUARD Certification program, combined with more than a decade of educational marketing and outreach initiatives, has made UL Environment's GREENGUARD mark the most recognized eco-label among architects and designers (second only to the Leadership in Energy and Environmental Design (LEED) Rating System). In fact, more than 460 sustainable codes, standards, specifications, and procurements guidelines documents—such as LEED®, Collaborative for High Performance Schools (CHPS), and the International Green Construction Code (IgCC)—recognize, recommend, or require the use of GREENGUARD Certified products.

This standard is designed to define low-emitting materials suitable for environments where people, particularly children and sensitive adults, spend extended periods of time, in particular schools and healthcare facilities.

The above information can be found on [greenguard.org](http://greenguard.org). For more consumer information, visit <http://greenguard.org/en/consumers.aspx>



Lines with GREENGUARD GOLD Certification: AW, AP, GW, SL, AN, TG



# WATERBORNE UV FINISHES

Forevermark Cabinetry features the use of waterborne UV finishes furnished by Sherwin-Williams on certain door styles.\* The benefits of waterborne UV finishes include superior scratch resistance, low VOCs, finishes that are formaldehyde-hazard free, and reduction in environmental impact.

Forevermark Cabinetry is proud to offer products manufactured using Sherwin-Williams coatings as part of our goal to offer high performance products designed and manufactured taking steps to reduce environmental impact and meet or exceed the most stringent regulatory requirements.

You can be sure that the solutions you're choosing satisfy the highest standards for performance, while meeting or exceeding regulatory requirements. Which means you'll never have to choose between the best coatings for the environment and the best coatings for delivering a quality look that lasts.



\*Waterborne UV finish: AW, SL, GW

\*Waterborne UV finish by Sherwin-Williams®: AP,AN,TG

# FOREST STEWARDSHIP COUNCIL® CERTIFIED

Forevermark Cabinetry is proud to offer select products with raw materials that are Forest Stewardship Council® (FSC) certified through its supplier. The FSC® is an independent, non-profit organization that protects forests for future generations, and is the only system supported by groups such as WWF, Sierra Club, Greenpeace, Natural Resources Defense Council, and National Wildlife Federation. The FSC® protects water quality, prohibits highly hazardous chemicals, restricts deforestation, protects customary rights of indigenous people and local communities, prevents loss of natural forest cover, protects high conservation value forests, and limits clearcuts to protect forest ecology.

By purchasing a FSC-certified product, customers can ensure that their product is coming from responsibly managed sources.



The mark of responsible forestry

**Eucalyptus Grandis** is a consistent, premium hardwood material with the following benefits:

- **Durability** - used often in high-end applications
- **Sustainable & Eco-friendly**
- **High level of dimensional stability**
- **Exceptionally versatile**
- **Superior grain consistency**



AN



TG

\* Applicable to AN,TG (raw materials only)

# LIMITED WARRANTY INFORMATION

The Shekia Group, LLC d/b/a TSG, LLC ("TSG") warrants its Forevermark Cabinetry products to be free of manufacturer defects that are avoidable, and unnatural defects in material and workmanship under normal use, for five (5) years from the date of purchase by the original consumer purchaser (except for cabinets with painted finishes, which are limited to a two (2) year warranty). This limited liability warranty applies to residential use only at the original site of installation only. This limited liability warranty is non-transferable.

This limited liability warranty does not cover or apply to any defect that is not caused by TSG. This warranty does not cover or apply to products that have been misused; mishandled; abused; improperly stored or installed; modified; or subject to excesses of moisture or extreme temperatures, abrasive or citrus cleaning products, neglect, transit damage, assembly, disassembly, intentional damage, accidents, negligence, on-site alterations, improper storage, defective installation or normal wear and tear. Any modification to the hardware structure or finish of the original consumer purchaser's cabinetry by anyone other than those specifically authorized by TSG to do so shall void this limited liability warranty. The product must be used exclusively for its intended purpose in order to be covered by this limited liability warranty. This limited liability warranty shall become void if the cabinets or any components or parts thereof are in any way modified, improperly installed or damaged prior to or during installation, or installed or used in other than normal residential applications.

This limited liability warranty does not include or cover the cost of installation, removal, subsequent damage or transportation of the allegedly defective product, regardless of whether work was performed by a contractor, a service company or the original consumer purchaser. This limited liability warranty does not apply to any products used in conjunction with the cabinetry, including but not limited to countertops, appliances or plumbing fixtures. Use of cabinetry or any components or parts thereof in any way contrary to any instructions furnished by TSG shall void this limited liability warranty.

TSG's obligation under this limited liability warranty shall be limited to the repair or replacement, at its sole discretion, of any cabinetry or any components or parts thereof that TSG deems proven defective under normal use and service within the warranty period. This limited liability warranty is limited to the repair or replacement of the allegedly defective cabinetry or components or parts thereof, and does not include or cover any other costs, including but not limited to any costs of service, labor, shipment, transportation, removal or installation related to the repair or replacement.

Forevermark Cabinetry cabinets are constructed from several pieces of solid wood and wood veneers on plywood. Differences in grain pattern and color should be expected. Wood characteristics that naturally occur, such as variations in color, grain, mineral streaks and knots, are not considered defects. Color variations and color softening in cabinets are a natural occurrence due to species, age, character of cabinets and exposure to UV light and sunlight. For these reasons, replacement cabinets may not match display samples and/or the existing cabinets in the original consumer purchaser's home. Such variations and changes are not considered defects. This limited liability warranty applies only to defects, and does not apply to the yellowing and aging of any wood product. Forevermark Cabinetry products are wood products, and extreme conditions (high/low humidity, temperature, etc.) will cause any wood product to respond adversely. Accordingly, this limited liability warranty does not apply to cabinetry exposed to extreme conditions. Please note that newly produced cabinets will never be the same color as aged cabinets. TSG reserves the right to inspect any alleged defects in the field to determine if the product should be repaired in the field or in the factory, or replaced, if at all.

Mitered door joints in particular are likely to react to conditions of their environment. Gaps that may develop in door joints due to conditions of their environment are not included or covered by this limited liability warranty. This limited liability warranty does not cover or apply to hairline cracks of cabinetry; hairline cracks are unavoidable in wood cabinets given the nature of the material. Every species and grade of solid wood behaves in such a way as to eventually result in hairline cracks. Painted finishes react differently than stained finish with normal wood movement, and climatic conditions may result in breaks in finish, recesses and joint and panel lines. These conditions are considered a normal occurrence and are not included or covered by this limited liability warranty. Cabinet doors that are warped must be allowed to hang through one seasonal heating cycle (i.e., through a full summer) before replacement will be considered by TSG under this limited liability warranty. Doors that are warped in either direction not exceeding one-quarter inch (1/4") do not exceed normal material expectation and are not included or covered by this limited liability warranty.

TSG periodically makes changes to its product line and specifications. If a warranty claim is presented for a discontinued or unavailable cabinet or component or part thereof, TSG will replace the cabinet or component or part thereof under warranty with a new cabinet or component or part thereof of the same style or with a similar or comparable style currently offered by TSG. Some replacement cabinets and components and parts thereof are subject to availability, and may differ from those originally supplied. TSG is not responsible for replacement product that may not exactly match installed product, and is not obligated to inform original consumer purchasers of the discontinuance of or changes to product lines and specifications or to make similar changes in all products previously manufactured. Material changes are not a valid reason for an original consumer purchaser to refuse replacement under this limited liability warranty.

Warranty claims cannot be made directly to TSG by the original consumer purchaser. To submit a warranty claim, the original consumer purchaser must contact the dealer or distributor from whom the Forevermark Cabinetry products were purchased and report the nature of the alleged defect. The dealer or distributor will obtain the information necessary to make a claim decision, and forward such information in writing to TSG for TSG's consideration of the claim. If the dealer or distributor is no longer functioning as a business entity, please submit your claim in writing, with proof of purchase, to:

TSG / Forevermark Cabinetry, 1130 King Georges Post Road, Edison, NJ 08837

If a manufacturing defect occurs within this limited liability warranty's terms and conditions and TSG determines to replace the defective cabinet or component or part thereof, TSG will ship the replacement cabinet or component or part thereof to the original consumer purchaser via ground shipper or freight carrier, at TSG's sole discretion.

Please do not send the allegedly defective cabinet or component or part thereof to TSG, unless and until expressly requested to do so by our claims department. Pictures of cabinets or components or parts thereof may be requested by TSG. Making a fraudulent claim may be a crime, and violators may be prosecuted.

This limited liability warranty and its enforcement, and any and all claims or disputes arising out of, relating to or in connection with this limited liability warranty or the making, performance or interpretation of this limited liability warranty, shall be (1) governed by and construed exclusively in accordance with the laws of the State of New Jersey, without regard to the conflicts of law or choice of law principles of the State of New Jersey or any other jurisdiction (including but not limited to U.S. federal law) that would require the application of the law of any other jurisdiction, and (2) brought only in the United States District Court for the District of New Jersey or the New Jersey Superior Court, Middlesex County.

THIS WRITING IS THE COMPLETE AND EXCLUSIVE REMEDY FOR ANY ORIGINAL CONSUMER PURCHASER FOR BREACH OF WARRANTY. THE STATEMENT OF THE EXPRESS WARRANTIES PROVIDED HEREIN IS IN LIEU OF ANY AND ALL OTHER EXPRESS AND/OR STATUTORY WARRANTIES, TO THE EXTENT PROVIDED BY LAW. IN NO EVENT SHALL TSG BE LIABLE FOR INCIDENTAL OR CONSEQUENTIAL DAMAGES TO ANY ORIGINAL CONSUMER PURCHASER OR A THIRD PARTY, INCLUDING BUT NOT LIMITED TO DAMAGES ARISING FROM PERSONAL INJURY, LOST PROFITS, LOSS OF BUSINESS OPPORTUNITIES, LOSS OF PROPERTY, ECONOMIC LOSS, STATUTORY OR EXEMPLARY DAMAGES, WHETHER FROM NEGLIGENCE, WARRANTY, STRICT LIABILITY OR OTHERWISE. ANY AND ALL IMPLIED WARRANTIES OF MERCHANTABILITY, FITNESS FOR A PARTICULAR PURPOSE, COURSE OF DEALING AND USAGE OF TRADE, AND ANY AND ALL OTHER WARRANTIES, EXPRESS OR IMPLIED, ARE EXCLUDED AND DISCLAIMED, EXCEPTING ONLY THOSE EXPRESS WARRANTIES SPECIFICALLY SET FORTH IN THIS LIMITED LIABILITY WARRANTY. IN NO EVENT SHALL TSG BE LIABLE FOR ANY INDIRECT DAMAGES RESULTING FROM INSTALLATION, USE OR FAILURE OF ITS PRODUCTS. THIS LIMITED LIABILITY WARRANTY IS TSG'S SOLE WARRANTY, AND NO DEALER, DISTRIBUTOR OR AGENT POSSESSES ANY AUTHORITY WHATSOEVER TO MODIFY OR ENLARGE THIS WARRANTY IN ANY WAY.



1130 King Georges Post Road  
Edison, NJ 08837  
[www.tsgcabinets.com](http://www.tsgcabinets.com)

# CABINET LINES – DOOR STYLES

## K-SERIES COLLECTION



K-Cherry Glaze  
(KC)

SILVER



K-Cinnamon Glaze  
(KM)

SILVER



K-Espresso Glaze  
(KE)

SILVER



K-WHITE  
(KW)

GOLD

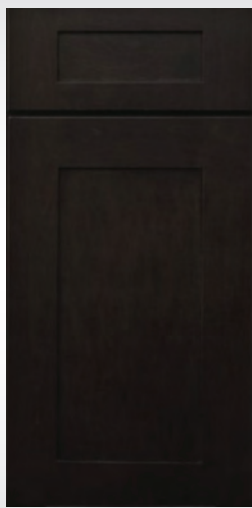
**NEW!**

## SHAKER COLLECTION



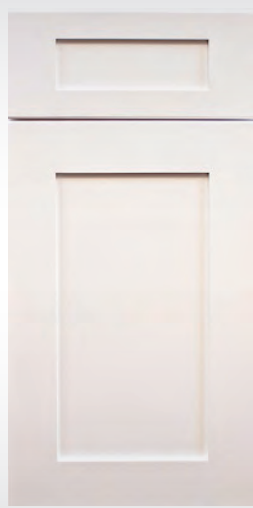
Lait Grey Shaker  
(AB)

PLATINUM



Pepper Shaker  
(AP)

GOLD



Ice White Shaker  
(AW)

GOLD



Greystone Shaker  
(AG)

PLATINUM



Nova Light Grey Shaker  
(AN)

TITANIUM





# TOWN COLLECTION



Uptown White  
(TW)

**PLATINUM**



Townsquare Grey  
(TS)

**PLATINUM**



Midtown Grey  
(TG)

**TITANIUM**



Townplace Crema  
(TQ)

**TITANIUM**



Vista White Shaker  
(VW)

**GOLD**



Signature Pearl  
(SL)

**PLATINUM**



Gramercy White  
(GW)

**PLATINUM**



Sienna Rope  
(MR)

**PLATINUM**

# CABINET DETAILS\*

	SILVER			GOLD						
	KC	KM	KE	KW	VW	AP	AW			
<b>Material</b>	Solid Birch			Solid Birch			MDF			
<b>Style</b>	Full Overlay, butt door			Full Overlay, butt door						
<b>Wall &amp; Base</b>	Raised Square (5pc recessed drawer header)			Raised Square (5pc recessed drawer header)	Recess Square					
<b>Front Frame</b>	3/4" Solid Birch			3/4" Solid Birch						
<b>Door Frame</b>	3/4" Solid Birch			3/4" Solid Birch			MDF			
<b>Door Center</b>	MDF with birch veneer			MDF (Reversed raised door panel)	MDF with birch veneer	MDF				
<b>Sides (Wall &amp; Base)</b>	1/2" A-Grade plywood with wood veneer			1/2" A-Grade plywood with wood veneer						
<b>Top &amp; Bottom (Wall)</b>				1/2" A-Grade plywood with wood veneer			1/2" A-Grade plywood with wood veneer		3/8" A-Grade plywood with wood veneer	
<b>Bottom (Base)</b>										
<b>Cabinet Interior</b>	Matches door color			Matches door color	Natural interior finish	Matches door color				
<b>Back Panel</b>	1/2" Picture Frame recess style			1/2" Picture Frame recess style	1/2" Full back panel	1/2" Picture Frame recess style				
<b>Hinges</b>	**Concealed 6-way adjustable soft close door hinges			**Concealed 6-way adjustable soft close door hinges						
<b>Connectors</b>	Pre-installed, color coated metal clip, won't tarnish			Pre-installed, color coated metal clip, won't tarnish	Color coated new L-shape (1pc) metal clip won't tarnish (not preinstalled)	Pre-installed, color coated metal clip, won't tarnish				
<b>Shelves</b>	3/4" A-Grade plywood with wood veneer			3/4" A-Grade plywood with wood veneer						
<b>Drawer box</b>	Solid Wood 5/8" sides			Solid Wood 5/8" sides		Solid Wood 17mm (close to 3/4" T)				
	Drawer bottom 1/2" plywood			Drawer bottom 1/2" plywood	Drawer bottom 3/8" plywood					
	Drawer length 21"			Drawer length 21"						
	Dovetail Construction			Dovetail Construction						
	Natural Finish			Natural finish						
<b>Drawer Glides</b>	**Undermount, Full extension with soft closing feature			Undermount, Full extension with soft closing feature						
<b>Base Corner Supports</b>	Wood corner brackets			Wood corner brackets	New color coated metal triangle corner bracket	Wood corner brackets, with wood I-beam construction				

Specifications and availability of items are subject to change without notice and TSG is not responsible for printing errors

\* No center stile on cabinetry 24" W to 36" W



	PLATINUM						TITANIUM			
	MR	GW	SL	TW	AB	TS	AG	TQ	AN	TG
<b>Material</b>	Solid Birch							Solid Eucalyptus Grandis		
<b>Style</b>	Full Overlay, butt door									
<b>Wall &amp; Base</b>	Raised Square			Recessed Square						
<b>Front Frame</b>	3/4" Solid Birch							3/4" Solid Eucalyptus Grandis		
<b>Door Frame</b>	3/4" Solid Birch			MDF	3/4" Solid Birch			3/4" Solid Eucalyptus Grandis		
<b>Door Center</b>	Solid Birch	MDF			MDF with maple veneer		MDF (Reversed raised door panel)	Solid Eucalyptus Grandis (Reversed Raised Door Panel)		
<b>Sides (Wall &amp; Base)</b>	1/2" A-Grade plywood with wood veneer									
<b>Top &amp; Bottom (Wall)</b>										
<b>Bottom (Base)</b>	3/8" A-Grade plywood with wood veneer									
<b>Cabinet Interior</b>	Matches door color									
<b>Back Panel</b>	1/2" Picture Frame recess style			WALL: 1/2" Picture Frame recess style <b>BASE*: 1/2" FULL Back***</b>						
<b>Hinges</b>	** Concealed 6-way adjustable soft close door hinges									
<b>Connectors</b>	Pre-installed, color coated metal clip, won't tarnish									
<b>Shelves</b>	*** 3/4" A-Grade plywood with wood veneer <b>(TS, AB, and TQ includes metal shelf clips. ALL NEW incoming stock for ALL other styles includes metal shelf clips.)</b>									
<b>Drawer box</b>	Solid Wood 17mm (close to 3/4" T)									
	Drawer bottom 1/2" plywood									
	Drawer length 21"									
	Dovetail Construction									
	Natural finish									
<b>Drawer Glides</b>	Undermount, Full extension with soft closing feature									
<b>Base Corner</b>	Wood Corner brackets, with wood I-beam									

Specifications and availability of items are subject to change without notice and TSG is not responsible for printing errors

\* Applicable to most Base sizes. Certain Bases may have picture frame recess style. For an indeterminate transitional period, orders may include inventory with mixed specifications.

\*\* No center stile on cabinetry 24"W to 36"W

\*\*\* New incoming stock includes bases with 1/2" full back panels (TW). For an indeterminate transitional period, orders may include inventory with mixed specifications.







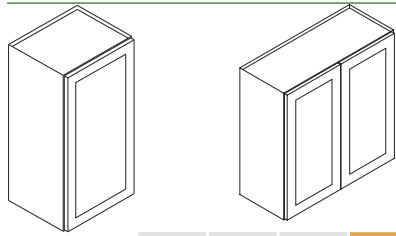


Forevermark  
cabinetry™

## PRICING

# WALL CABINETS\*

## WALL CABINETS\*

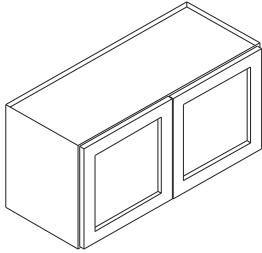


• 24"W - 36"W WxxxxB = "B" = 2 butt doors (double door cabinet)

\* Available approximately September 2021

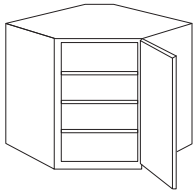
	KC	KM	KE	KW	VV	AP	AW	MR	AB	SL	GW	TW	TS	AG	AN	TG	TQ
<b>W1512*</b>	-	-	-	-	-	-	225	-	-	-	-	231	-	231	-	-	-
<b>W1812*</b>	-	-	-	-	-	-	279	-	-	-	-	288	-	288	-	-	-
<b>W2412B*</b>	-	-	-	-	-	-	384	-	-	-	-	399	-	399	-	-	-
<b>W0930</b>	288	288	288	342	324	360	360	372	372	372	372	372	372	372	417	417	417
<b>W1230</b>	318	318	318	378	360	399	399	411	411	411	411	411	411	411	462	462	462
<b>W1530</b>	348	348	348	414	393	435	435	450	450	450	450	450	450	450	504	504	504
<b>W1830</b>	390	390	390	459	435	483	483	498	498	498	498	498	498	498	558	558	558
<b>W2130</b>	468	468	468	555	528	585	585	600	600	600	600	600	600	600	672	672	672
<b>W2430B</b>	501	501	501	594	564	624	624	645	645	645	645	645	645	645	723	723	723
<b>W2730B</b>	546	546	546	648	615	681	681	702	702	702	702	702	702	702	789	789	789
<b>W3030B</b>	564	564	564	669	636	705	705	726	726	726	726	726	726	726	816	816	816
<b>W3330B</b>	606	606	606	720	684	759	759	780	780	780	780	780	780	780	876	876	876
<b>W3630B</b>	648	648	648	768	729	807	807	834	834	834	834	834	834	834	936	936	936
<b>W6030-OPEN</b>	972	972	-	-	-	-	-	-	-	-	-	-	-	-	-	-	-
<b>W0936</b>	363	363	-	432	411	456	456	471	471	471	471	471	471	471	528	528	528
<b>W1236</b>	387	387	-	459	435	483	483	498	498	498	498	498	498	498	558	558	558
<b>W1536</b>	420	420	-	498	474	525	525	540	540	540	540	540	540	540	606	606	606
<b>W1836</b>	468	468	-	555	528	585	585	600	600	600	600	600	600	600	672	672	672
<b>W2136</b>	561	561	-	663	630	699	699	717	717	717	717	717	717	717	804	804	804
<b>W2436B</b>	597	597	-	708	672	744	744	768	768	768	768	768	768	768	861	861	861
<b>W2736B</b>	675	675	-	801	759	843	843	870	870	870	870	870	870	870	975	975	975
<b>W3036B</b>	732	732	732	867	822	912	912	939	939	939	939	939	939	939	1053	1053	1053
<b>W3336B</b>	777	777	777	921	873	969	969	999	999	999	999	999	999	999	1119	1119	1119
<b>W3636B</b>	810	810	810	963	915	1014	1014	1044	1044	1044	1044	1044	1044	1044	1170	1170	1170
<b>W0942</b>	405	405	405	480	459	507	507	519	519	519	519	519	519	519	582	582	582
<b>W1242</b>	429	429	429	507	483	534	534	549	549	549	549	549	549	549	615	615	615
<b>W1542</b>	465	465	465	552	525	582	582	597	597	597	597	597	597	597	669	669	669
<b>W1842</b>	513	513	513	609	579	642	642	663	663	663	663	663	663	663	744	744	744
<b>W2142</b>	621	621	621	735	699	774	774	798	798	798	798	798	798	798	894	894	894
<b>W2442B</b>	666	666	666	792	753	834	834	858	858	858	858	858	858	858	963	963	963
<b>W2742B</b>	777	777	777	924	876	972	972	1002	1002	1002	1002	1002	1002	1002	1125	1125	1125
<b>W3042B</b>	864	864	864	1023	972	1077	1077	1110	1110	1110	1110	1110	1110	1110	1245	1245	1245
<b>W3342B</b>	909	909	909	1080	1026	1137	1137	1170	1170	1170	1170	1170	1170	1170	1311	1311	1311
<b>W3642B</b>	969	969	969	1149	1089	1209	1209	1248	1248	1248	1248	1248	1248	1248	1398	1398	1398
<b>W3012B</b>	324	324	324	384	366	405	405	417	417	417	417	417	417	417	468	468	468
<b>W3312B</b>	-	-	-	-	390	-	432	-	-	447	447	447	447	447	498	498	498
<b>W3612B</b>	363	363	363	432	411	456	456	468	468	468	468	468	468	468	525	525	525
<b>W361224B</b>	498	498	498	585	555	615	615	633	633	633	633	633	633	633	711	711	711
<b>W2415B</b>	-	-	-	384	369	408	408	417	417	417	417	417	417	417	468	468	468
<b>W3015B</b>	363	363	363	432	411	456	456	468	468	468	468	468	468	468	525	525	525
<b>W301524B</b>	492	492	492	585	-	615	615	636	636	636	636	636	636	636	714	714	714
<b>W3315B</b>	393	393	393	468	444	492	492	507	507	507	507	507	507	507	570	570	570
<b>W331524B</b>	519	519	519	618	-	648	648	-	669	669	669	669	669	669	750	750	750
<b>W3615B</b>	402	402	402	477	453	501	501	516	516	516	516	516	516	516	579	579	579
<b>W361524B</b>	546	546	546	648	615	681	681	702	702	702	702	702	702	702	789	789	789

# WALL CABINETS\*



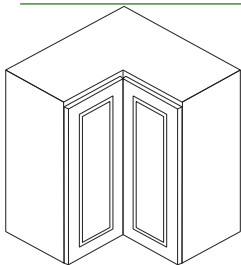
	KC	KM	KE	KW	VW	AP	AW	MR	AB	SL	GW	TW	TS	AG	AN	TG	TQ
<b>W2418B</b>	348	348	348	-	393	435	435	450	450	450	450	450	<b>450</b>	450	504	504	504
<b>W3018B</b>	402	402	402	-	453	501	501	516	516	516	516	516	<b>516</b>	516	579	579	579
<b>W301824B</b>	630	630	630	-	681	756	756	780	780	780	780	780	<b>780</b>	780	876	876	876
<b>W3318B</b>	429	429	429	-	483	534	534	549	549	549	549	549	<b>549</b>	549	615	615	615
<b>W331824B</b>	639	639	639	-	690	765	765	-	789	789	789	789	<b>789</b>	789	885	885	885
<b>W3618B</b>	456	456	456	-	513	570	570	585	585	585	585	585	<b>585</b>	585	657	657	657
<b>W361824B</b>	648	648	648	735	699	774	774	798	798	798	798	798	<b>798</b>	798	894	894	894
<b>W2424B</b>	447	447	447	531	504	558	558	576	576	576	576	576	<b>576</b>	576	648	648	648
<b>W3024B</b>	504	504	504	597	567	627	627	648	648	648	648	648	<b>648</b>	648	726	726	726
<b>W302424B</b>	594	594	594	705	669	741	741	765	765	765	765	765	<b>765</b>	765	858	858	858
<b>W3324B</b>	540	540	540	639	606	672	672	693	693	693	693	693	<b>693</b>	693	777	777	777
<b>W332424B</b>	-	-	-	750	711	<b>789</b>	<b>789</b>	-	<b>816</b>	<b>816</b>	<b>816</b>	<b>816</b>	<b>816</b>	<b>816</b>	<b>915</b>	<b>915</b>	<b>915</b>
<b>W3624B</b>	576	576	576	684	648	720	720	741	741	741	741	741	<b>741</b>	741	831	831	831
<b>W362424B</b>	669	669	669	795	756	837	837	864	864	864	864	864	<b>864</b>	864	969	969	969

## WALL DIAGONAL CORNER



	KC	KM	KE	KW	VW	AP	AW	MR	AB	SL	GW	TW	TS	AG	AN	TG	TQ
<b>WDC2412</b>	-	-	-	-	-	-	414	-	-	-	-	426	-	426	-	-	-
<b>WDC2430</b>	720	720	720	-	810	900	900	927	<b>927</b>	927	927	927	927	927	1041	1041	1041
<b>WDC2436</b>	906	906	906	-	1014	1125	1125	1161	<b>1161</b>	1161	1161	1161	1161	1161	1302	1302	1302
<b>WDC2442</b>	957	957	957	-	1077	1194	1194	1233	<b>1233</b>	1233	1233	1233	1233	1233	1383	1383	1383
<b>WDC273615</b>	-	-	-	-	-	1740	1740	1755	<b>1755</b>	1755	1755	1755	1755	1755	1968	1968	1968
<b>WDC274215</b>	-	-	-	-	-	2085	2085	2100	<b>2100</b>	2100	2100	2100	2100	2100	2352	2352	2352

## WALL CORNER CABINET



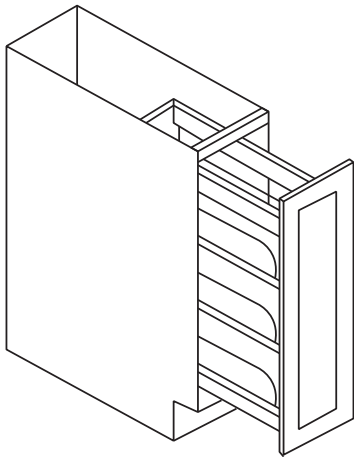
• Door is not soft closing (Bi-fold door)

	KC	KM	KE	KW	VW	AP	AW	MR	AB	SL	GW	TW	TS	AG	AN	TG	TQ
<b>WSQ2430</b>	-	-	-	1356	1284	1425	1425	-	<b>1425</b>	1425	1425	1425	1425	1425	1596	1596	1596
<b>WSQ2436</b>	-	-	-	1626	1539	1710	1710	-	<b>1710</b>	1710	1710	1710	1710	1710	1917	1917	1917
<b>WSQ2442</b>	-	-	-	1950	1848	2052	2052	-	<b>2052</b>	2052	2052	2052	2052	2052	2301	2301	2301



# WALL CABINETS (CONT.)

## BASE - PULL OUT - WITH SPICE RACK

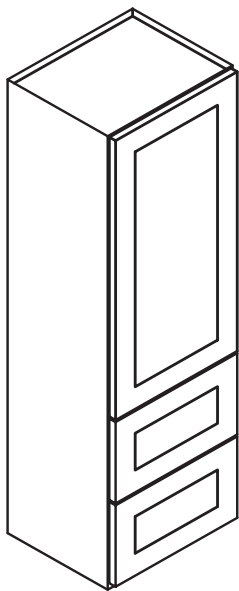


- Pull out door panel will match door style
- Side Mount Full Extension Drawer Track (not soft closing)
- Unit is pre-assembled
- Includes cabinet and spice rack insert (2 middle racks are adjustable)

**BFP09**

KC	KM	KE	KW	VW	AP	AW	MR	AB	SL	GW	TW	TS	AG	AN	TG	TQ
-	-	-	-	-	1467	1467	1488	1488	1488	1488	1488	1488	1488	1668	1668	1668

## WALL CABINET - WITH 2 BUILT-IN DRAWERS



- Drawers are not soft-closing
- Glass doors are available for this unit W18XXGD (Please see pg. 32)

**W2D1848**

**W2D1854**

**W2D1860**

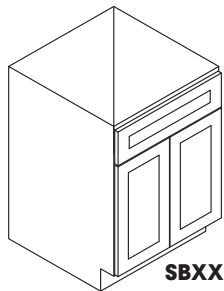
KC	KM	KE	KW	VW	AP	AW	MR	AB	SL	GW	TW	TS	AG	AN	TG	TQ
-	-	-	-	-	-	1128	-	1128	1128	1128	1128	1128	1128	1266	1266	1266
-	-	-	-	-	-	1317	-	1317	1317	1317	1317	1317	1317	1476	1476	1476
-	-	-	-	-	-	1503	-	1503	1503	1503	1503	1503	1503	1686	1686	1686



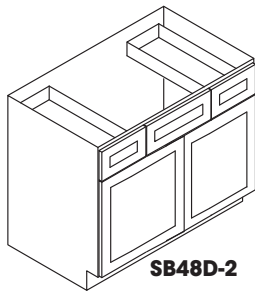


# WALL CABINETS (CONT.)

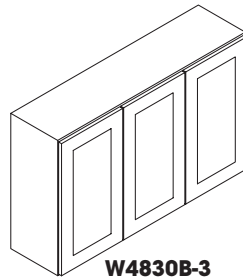
## SINK BASE AND STARTER SETS\*



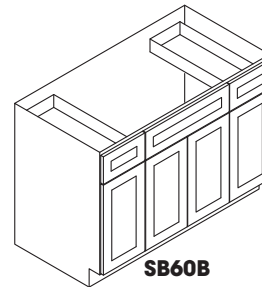
**SBXX**



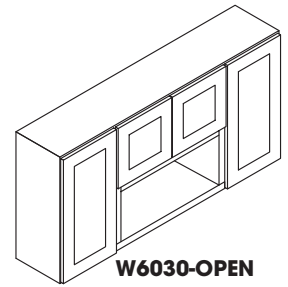
**SB48D-2**



**W4830B-3**



**SB60B**



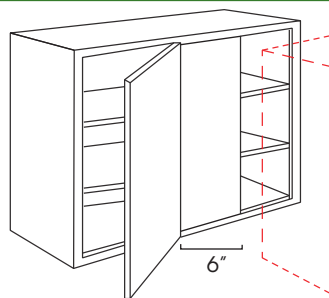
**W6030-OPEN**

\* SB48 and SB60 include dividers

	KC	KM	KE	KW	VW	AP	AW	MR	AB	SL	GW	TW	TS	AG	AN	TG	TQ
<b>SB24</b>	675	675	-	801	759	843	843	867	867	867	867	867	<b>867</b>	867	972	972	972
<b>SB27B</b>	708	708	708	840	798	885	885	909	909	909	909	909	<b>909</b>	909	1020	1020	1020
<b>SB30B*</b>	732	732	732	870	825	915	915	942	942	942	942	942	<b>942</b>	942	1056	1056	1056
<b>SB33B</b>	759	759	759	900	855	948	948	978	978	978	978	978	<b>978</b>	978	1098	1098	1098
<b>SB36B</b>	789	789	789	939	891	987	987	1011	1011	1011	1011	1011	<b>1011</b>	1011	1134	1134	1134
<b>SB42</b>	-	-	-	-	-	-	1275	-	1305	1305	1305	1305	<b>1305</b>	1305	1464	1464	1464
<b>SB60B</b>	-	1425	1425	-	-	-	-	-	-	-	-	-	-	-	-	-	-
<b>W6030-OPEN</b>	972	972	-	-	-	-	-	-	-	-	-	-	-	-	-	-	-

\* B = butt door \*\* 33"W to 36"W - all styles with double headers (\*30"W base with single drawer is new specification, bases may ship with 2 drawers until old inventory is phased out. Replacement and special requests will not be honored regarding drawer selection.)

## WALL BLIND CORNER CABINET

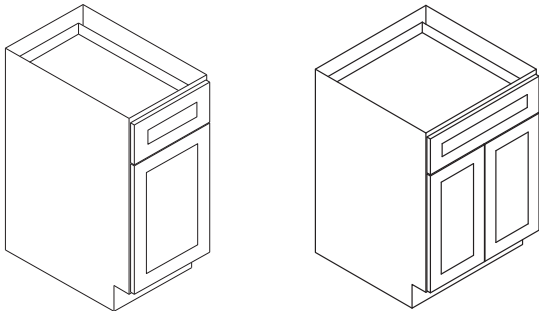


- Specify door right or left when ordering (not blind)
- WBLC30/33-30XX light modification is required (remove 1 door and install WF6)
- WBLC30/33-30XX will ship with W30XX and WF6XX (KD)
- Minimum pull 30" / Maximum pull 33"

	KC	KM	KE	KW	VW	AP	AW	MR	AB	SL	GW	TW	TS	AG	AN	TG	TQ
<b>WBLC30/33-3030</b>	771	771	771	885	834	924	924	948	<b>948</b>	948	948	948	948	948	1062	1062	1062
<b>WBLC30/33-3036</b>	1023	1023	1023	1173	1101	1221	1221	1251	<b>1251</b>	1251	1251	1251	1251	1251	1404	1404	1404
<b>WBLC30/33-3042</b>	1170	1170	1170	1344	1266	1404	1404	1440	<b>1440</b>	1440	1440	1440	1440	1440	1614	1614	1614
<b>WBLC39/42-3630</b>	648	648	648	-	-	-	-	-	-	-	-	-	-	-	-	-	-
<b>WBLC39/42-3636</b>	-	804	-	-	-	-	-	-	-	-	-	-	-	-	-	-	-
<b>WBLC39/42-3642</b>	-	951	-	-	-	-	-	-	-	-	-	-	-	-	-	-	-

# BASE CABINETS\*

## BASE CABINETS\*\*

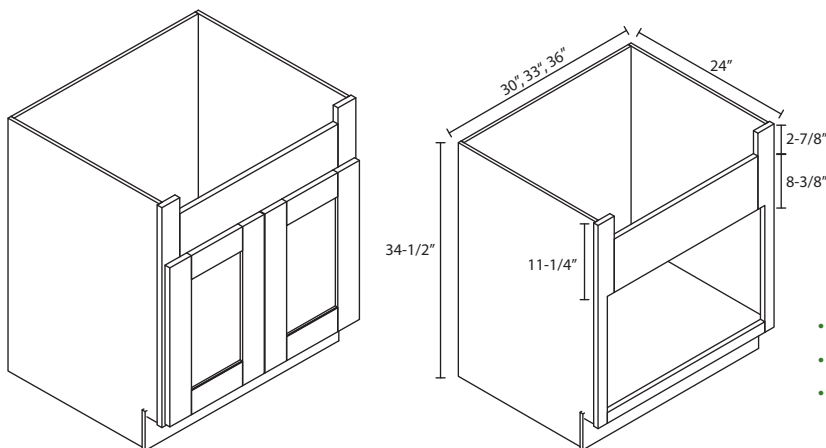


- 24"W - 36"W BxB = "B" = 2 butt doors (double door cabinet)
- Roll out trays for most base sizes available for purchase and installation (see pg. 32 & 44)
- FB09 is a base 9" with full height doors (no drawer or glide unit) **NEW!**

	KC	KM	KE	KW	VW	AP	AW	MR	AB	SL	GW	TW	TS	AG	AN	TG	TQ
<b>FB09</b>	-	-	-	-	513	-	567	-	597	-	597	597	597	597	672	672	672
<b>B09</b>	459	459	459	564	537	594	594	627	627	627	627	627	627	627	705	705	705
<b>B12</b>	522	522	522	639	606	672	672	708	708	708	708	708	708	708	795	795	795
<b>B15</b>	546	546	546	666	633	702	702	738	738	738	738	738	738	738	828	828	828
<b>B18</b>	573	573	573	699	663	735	735	774	774	774	774	774	774	774	867	867	867
<b>B21</b>	648	648	648	789	750	831	831	873	873	873	873	873	873	873	978	978	978
<b>B24B</b>	699	699	699	849	807	894	894	936	936	936	936	936	936	936	1050	1050	1050
<b>B27B</b>	753	753	753	915	867	963	963	1008	1008	1008	1008	1008	1008	1008	1131	1131	1131
<b>B30B*</b>	864	864	864	1068	1011	1122	1122	1188	1188	1188	1188	1188	1188	1188	1332	1332	1332
<b>B33B</b>	906	906	906	1116	1056	1173	1173	1242	1242	1242	1242	1242	1242	1242	1392	1392	1392
<b>B36B</b>	945	945	945	1164	1104	1224	1224	1293	1293	1293	1293	1293	1293	1293	1449	1449	1449

\* B = butt door \*\* 33"W to 36"W - all styles with double headers (\*30"W base with single drawer is new specification, bases may ship with 2 drawers until old inventory is phased out. Replacement and special requests will not be honored regarding drawer selection.)

## FARM SINK BASE CABINET



- Fits most farm sinks
- Board height 8-3/8
- Cut-out height 2-7/8

	KC	KM	KE	KW	VW	AP	AW	MR	AB	SL	GW	TW	TS	AG	AN	TG	TQ
<b>FSB30B</b>	-	-	-	1197	-	-	1302	-	1341	1341	1341	1341	1341	1341	1503	1503	1503
<b>FSB33B</b>	-	-	-	1296	-	-	1362	-	1404	1404	1404	1404	1404	1404	1575	1575	1575
<b>FSB36B</b>	-	-	-	1353	1278	1419	1419	-	1464	1464	1464	1464	1464	1464	1641	1641	1641

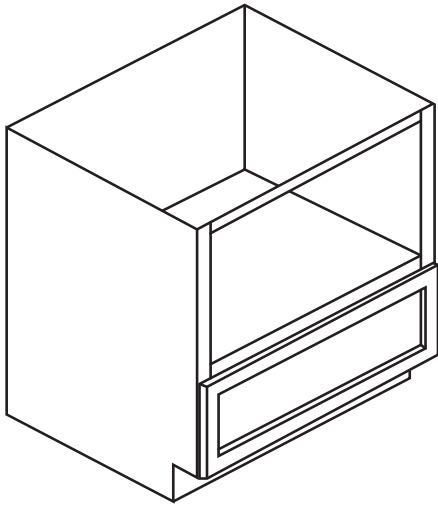
\* B = butt door

# BASE CABINETS\* (CONT.)



Forevermark  
cabinetry™

## MICROWAVE BASE CABINET

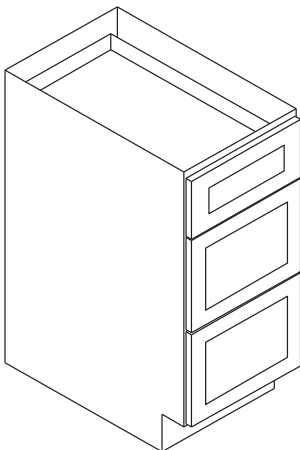


- Opening: 26-7/8" W x 18" H (with 1 drawer)
- Cabinet is 30" W
- Drawer front size is 29-1/2" W x 8-13/16" H
- Different size widths are available for modification only (please see pg. 44)

**B30MW (30" W)**

KC	KM	KE	KW	VW	AP	AW	MR	AB	SL	GW	TW	TS	AG	AN	TG	TQ
-	-	-	-	1041	1155	1155	-	1188	1188	1188	1188	1188	1188	1332	1332	1332

## DRAWER PACK



- Middle and bottom drawer are the same size.

**DB12(3)**

**DB15(3)**

**DB18(3)**

**DB21(3)**

**DB24(3)**

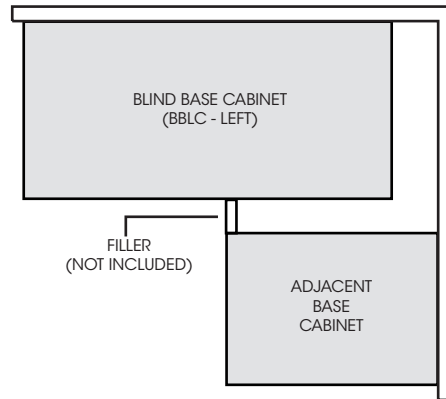
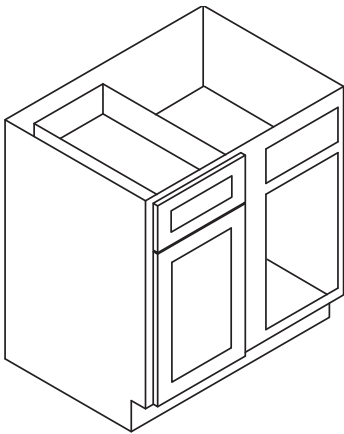
**DB30(3)**

**DB36(3)**

	KC	KM	KE	KW	VW	AP	AW	MR	AB	SL	GW	TW	TS	AG	AN	TG	TQ
<b>DB12(3)</b>	891	891	891	1119	1059	1176	1176	1257	<b>1257</b>	1257	1257	1257	1257	1257	1410	1410	1410
<b>DB15(3)</b>	930	930	930	1167	1107	1227	1227	1311	<b>1311</b>	1311	1311	1311	1311	1311	1470	1470	1470
<b>DB18(3)</b>	954	954	954	1197	1134	1257	1257	1344	<b>1344</b>	1344	1344	1344	1344	1344	1506	1506	1506
<b>DB21(3)</b>	981	981	981	1230	1164	1293	1293	1380	<b>1380</b>	1380	1380	1380	1380	1380	1548	1548	1548
<b>DB24(3)</b>	1038	1038	1038	1293	1224	1359	1359	1449	<b>1449</b>	1449	1449	1449	1449	1449	1623	1623	1623
<b>DB30(3)</b>	1725	1725	1725	2145	2028	2253	2253	2286	<b>2286</b>	2286	2286	2286	2286	2286	2562	2562	2562
<b>DB36(3)</b>	-	-	-	2196	2079	2307	2307	2361	<b>2361</b>	2361	2361	2361	2361	2361	2646	2646	2646

# BASE CABINETS\* (CONT.)

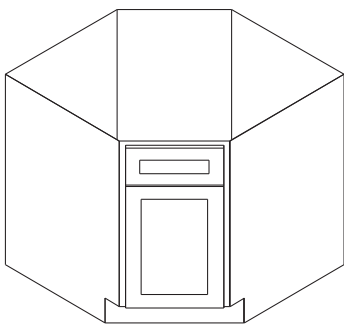
## BASE BLIND CORNER



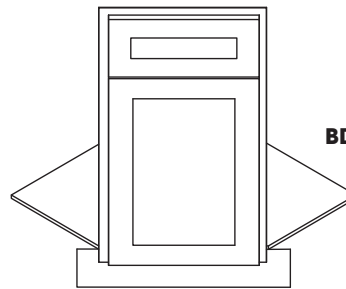
- Specify door right or door left when ordering **(NOT BLIND)**
- See page 46 for dimensions

	KC	KM	KE	KW	VW	AP	AW	MR	AB	SL	GW	TW	TS	AG	AN	TG	TQ
<b>BBLC39/42-36" W</b>	987	987	987	1197	1134	1257	1257	1311	1311	1311	1311	1311	1311	1311	1470	1470	1470
<b>BBLC42/45-39" W</b>	1002	1002	1002	1209	1146	1272	1272	1326	1326	1326	1326	1326	1326	1326	1488	1488	1488
<b>BBLC45/48-42" W</b>	1011	1011	1011	1221	1158	1284	1284	1341	1341	1341	1341	1341	1341	1341	1503	1503	1503

## BASE DIAGONAL CORNER SINK



**BDCF36**



**BDCF36K-FL**

• BDCF36: corner sink cabinet

• BDCF36K-FL: front frame, door & drawer front, floor and toe kick only **(NOT FULL CABINET)**

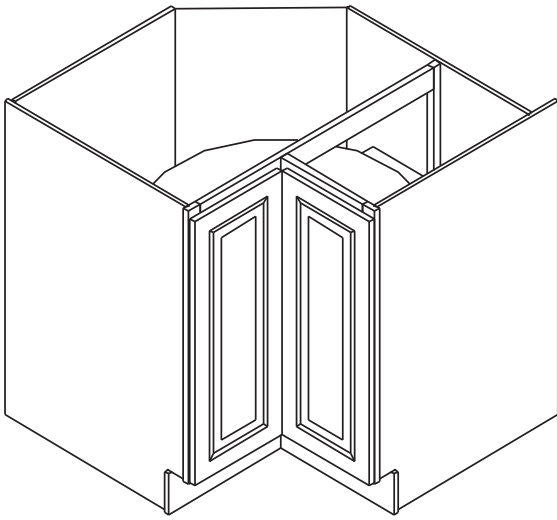
	KC	KM	KE	KW	VW	AP	AW	MR	AB	SL	GW	TW	TS	AG	AN	TG	TQ
<b>BDCF36</b>	1314	1314	1314	1557	1473	1635	1635	1689	1689	1689	1689	1689	1689	1689	1893	1893	1893
<b>BDCF36K-FL</b>	396	396	396	468	444	492	492	507	507	507	507	507	507	507	570	570	570



# BASE CABINETS\* (CONT.)



## LAZY SUSAN



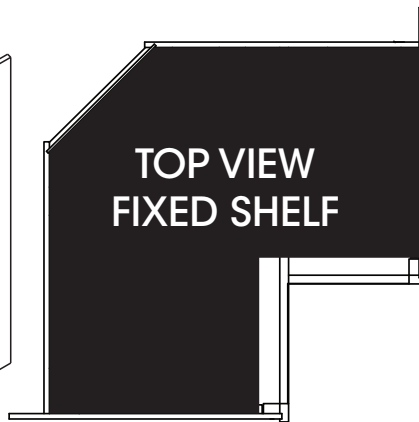
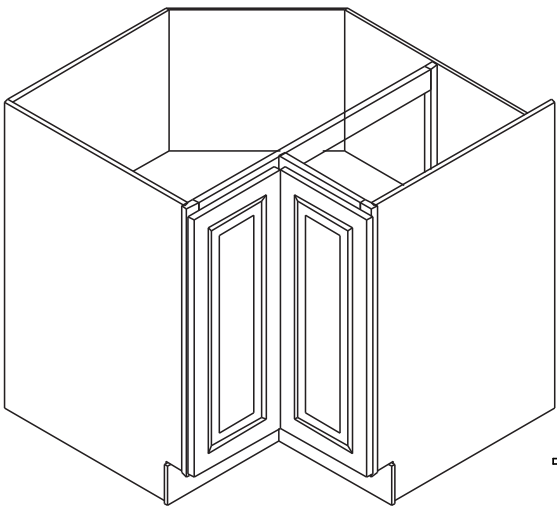
- LS3612: Bi-Fold door, 2 independently, spinning trays
- Not soft closing doors

**LS3309**

**LS3612**

	KC	KM	KE	KW	VW	AP	AW	MR	AB	SL	GW	TW	TS	AG	AN	TG	TQ
LS3309	1302	1302	1302	1545	1461	1623	1623	1677	1677	1677	1677	1677	1677	1677	1881	1881	1881
LS3612	1404	1404	1404	1668	1578	1752	1752	1812	1812	1812	1812	1812	1812	1812	2031	2031	2031

## EZ REACH CABINET



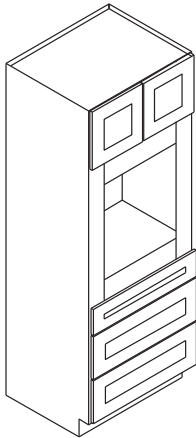
- LS3612S: Bi-Fold Door, Includes fixed shelf only (EZ reach)
- Not soft closing doors

**LS3612S  
(EZR3612)**

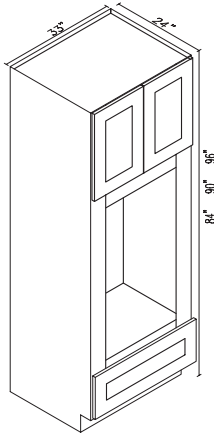
	KC	KM	KE	KW	VW	AP	AW	MR	AB	SL	GW	TW	TS	AG	AN	TG	TQ
LS3612S (EZR3612)	1221	1221	1221	1476	1398	1551	1551	1635	1635	1635	1635	1635	1635	1635	1833	1833	1833

# BASE CABINETS\* (CONT.)

## OVEN CABINETS



**OVEN CABINET**

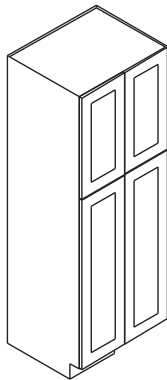
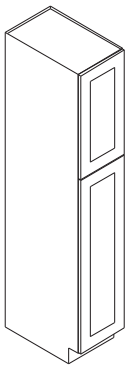


**DOUBLE OVEN/OVEN MICROWAVE CABINET**

- OC33XXB opening size = 24"W x 24"H
- OM33XXB opening size = 24"W x 42"H
- Can be modified into custom opening size (assembled only). Please provide height and width of opening, additional charge applies

	KC	KM	KE	KW	VW	AP	AW	MR	AB	SL	GW	TW	TS	AG	AN	TG	TQ
<b>OC3384B</b>	2667	2667	2667	3147	-	3306	3306	3459	<b>3459</b>	3459	3459	3459	3459	3459	3876	3876	3876
<b>OC3390B</b>	2874	2874	2874	3399	-	3570	3570	3732	<b>3732</b>	3732	3732	3732	3732	3732	4182	4182	4182
<b>OC3396B</b>	3081	3081	3081	3627	-	3810	3810	3981	<b>3981</b>	3981	3981	3981	3981	3981	4461	4461	4461
<b>OM3384B</b>	-	-	-	-	-	-	3120	-	<b>3264</b>	3264	3264	3264	3264	3264	3657	3657	3657
<b>OM3390B</b>	-	-	-	-	-	-	3369	-	<b>3522</b>	3522	3522	3522	3522	3522	3945	3945	3945
<b>OM3396B</b>	-	-	-	-	-	-	3597	-	<b>3756</b>	3756	3756	3756	3756	3756	4209	4209	4209

## WALL PANTRY



- Roll out trays available for purchase and installation (see pg. 16 and 36)

	KC	KM	KE	KW	VW	AP	AW	MR	AB	SL	GW	TW	TS	AG	AN	TG	TQ
<b>WP1584</b>	1449	1449	-	1719	1629	1809	1809	-	<b>1863</b>	1863	1863	1863	1863	1863	2088	2088	2088
<b>WP1590</b>	1557	1557	-	1845	1749	1941	1941	-	<b>2004</b>	2004	2004	2004	2004	2004	2247	2247	2247
<b>WP1596</b>	1662	1662	-	1971	1866	2073	2073	-	<b>2142</b>	2142	2142	2142	2142	2142	2400	2400	2400
<b>WP1884</b>	1623	1623	1623	1926	1824	2025	2025	2088	<b>2088</b>	2088	2088	2088	2088	2088	2340	2340	2340
<b>WP1890</b>	1743	1743	1743	2070	1959	2175	2175	2244	<b>2244</b>	2244	2244	2244	2244	2244	2514	2514	2514
<b>WP1896</b>	1863	1863	1863	2211	2091	2322	2322	2400	<b>2400</b>	2400	2400	2400	2400	2400	2688	2688	2688
<b>WP2484B</b>	2031	2031	2031	2412	2283	2535	2535	2616	<b>2616</b>	2616	2616	2616	2616	2616	2931	2931	2931
<b>WP2490B</b>	2187	2187	2187	2592	2454	2724	2724	2814	<b>2814</b>	2814	2814	2814	2814	2814	3153	3153	3153
<b>WP2496B</b>	2337	2337	2337	2775	2625	2916	2916	3012	<b>3012</b>	3012	3012	3012	3012	3012	3375	3375	3375

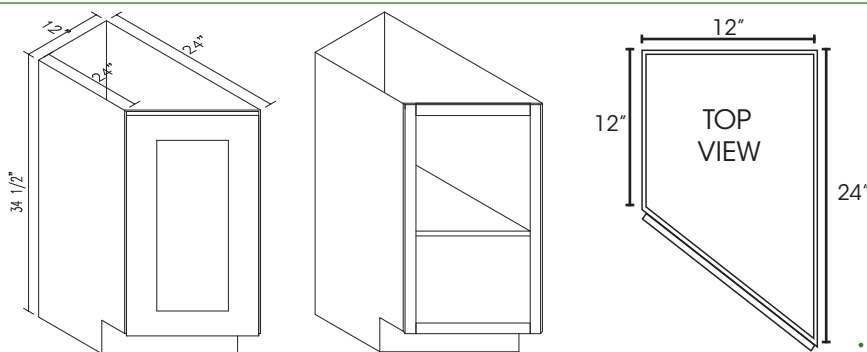
\* B = butt door



# BASE CABINETS\* (CONT.)

Forevermark  
cabinetry™

## BASE TRANSITIONAL CABINET

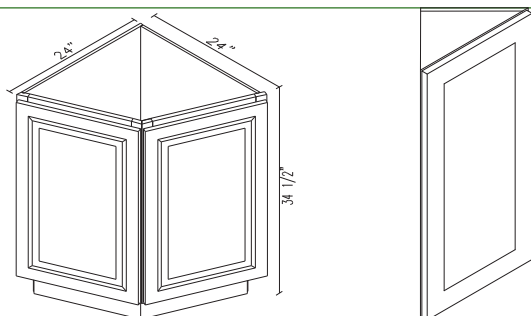


BASE TRANSITIONAL LEFT SHOWN

- 1 door and 1 shelf
- Specify left or right when placing order

	KC	KM	KE	KW	VW	AP	AW	MR	AB	SL	GW	TW	TS	AG	AN	TG	TQ
<b>BTC12L</b>	-	-	-	672	636	705	705	-	726	726	726	726	726	726	816	816	816
<b>BTC12R</b>	-	-	-	672	636	705	705	-	726	726	726	726	726	726	816	816	816

## ANGLE WALL & BASE



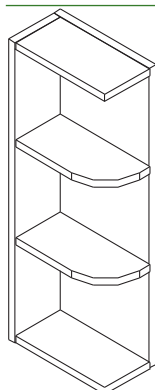
ANGLE BASE

ANGLE WALL

- Door size 17-7/8W X 29-1/4"H
- Both doors are functional

	KC	KM	KE	KW	VW	AP	AW	MR	AB	SL	GW	TW	TS	AG	AN	TG	TQ
<b>AW30</b>	495	495	495	582	552	612	612	633	633	633	633	633	633	633	711	711	711
<b>AW36</b>	594	594	594	699	663	735	735	759	759	759	759	759	759	759	852	852	852
<b>AW42</b>	693	693	693	819	777	861	861	888	888	888	888	888	888	888	996	996	996
<b>AB24 (Base)</b>	1245	1245	1245	1479	1401	1554	1554	1605	1605	1605	1605	1605	1605	1605	1800	1800	1800

## WALL END SHELF – WITH OPEN SHELVES



- WESxxx: Top/Bottom panel: square corner, Shelves: round corner
- Reversible L/R by flipping unit accordingly

	KC	KM	KE	KW	VW	AP	AW	MR	AB	SL	GW	TW	TS	AG	AN	TG	TQ
<b>WES530</b>	270	270	270	270	270	270	270	270	270	270	270	270	270	270	303	303	303
<b>WES536</b>	324	324	324	324	324	324	324	324	324	324	324	324	324	324	363	363	363
<b>WES542</b>	381	381	381	381	381	381	381	381	381	381	381	381	381	381	429	429	429

# GLASS DOORS



**NO MULLION**  
AG AP AW TW VW  
AN TG TS TQ



**INCLUDES MULLION**  
KC KM KE TQ TS SL KW  
GW MR TW AN TG

K-Series - linen (see-through frosted) glass  
AP - frosted glass  
MR - crystallized glass  
KW, VW, AW, SL, GW, TW, TS, AG, AN, TG, TQ - clear glass

- All glass doors include glass pre-inserted.
- WXXXXGD = No mullion
- WXXXXMGD = With mullion
- Cabinet sold separately

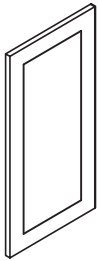
	KC	KM	KE	KW	VW	AP	AW	MR	AB	SL	GW	TW	TS	AG	AN	TG	TQ
W1512GD	-	-	-	-	-	-	282	-	-	-	-	288	-	288	-	-	-
W1812GD	-	-	-	-	-	-	348	-	-	-	-	360	-	360	-	-	-
W2412BGD	-	-	-	-	-	-	480	-	-	-	-	498	-	498	-	-	-
WDC2412GD	-	-	-	-	-	-	252	-	-	-	-	252	-	252	-	-	-
W3012BGD	-	-	-	-	486	-	486	-	486	-	-	486	486	486	546	-	546
W1530GD	-	-	-	-	243	243	243	-	243	-	-	243	243	243	273	273	273
W1530MGD	-	-	-	243	-	-	-	243	-	243	243	267	267	-	300	300	300
W1830GD	-	-	-	-	-	321	321	-	321	-	-	321	321	321	360	360	360
W1830MGD	-	-	-	321	-	-	-	321	-	321	321	354	354	-	399	399	399
W2430BGD	-	-	-	-	-	-	408	-	-	-	-	-	-	426	459	-	-
W2430MGD	-	-	-	426	-	-	-	-	-	426	426	426	426	-	-	504	-
W3030BGD	-	-	-	-	495	495	495	-	495	-	-	495	495	495	555	555	-
W3030MGD	495	495	495	495	-	-	-	495	-	495	495	546	546	-	612	612	-
W3630BGD	-	-	-	-	729	729	729	-	729	-	-	729	729	729	819	819	-
W3630MGD	-	-	-	-	-	-	-	729	-	729	729	-	729	-	903	903	-
WDC2430GD	-	-	-	-	261	261	261	-	261	-	-	261	261	261	294	294	-
WDC2430MGD	261	261	261	261	-	-	-	261	-	261	261	288	288	-	324	324	-
W1536GD	-	-	-	-	288	288	288	-	288	-	-	288	288	288	324	324	-
W1536MGD	-	-	-	288	-	-	-	288	-	288	288	318	318	-	357	357	-
W1836GD	-	-	-	-	-	384	384	-	384	-	-	384	384	384	432	432	432
W1836MGD	-	-	-	384	-	-	-	384	-	384	384	423	423	-	474	474	474
W2436BGD	-	-	-	-	-	-	474	-	-	-	-	-	-	492	531	-	-
W2436MGD	-	-	-	492	-	-	-	-	-	492	492	492	492	-	-	573	573
W3036BGD	-	-	-	-	561	561	561	-	561	-	-	561	561	561	630	630	630
W3036MGD	561	561	561	561	-	-	-	561	-	561	561	618	618	-	693	693	693
W3636BGD	-	-	-	-	783	783	783	-	783	-	-	783	783	783	879	879	879
W3636MGD	-	-	-	-	-	-	-	783	-	783	783	-	783	-	969	969	-
WDC2436GD	-	-	-	-	312	312	312	-	312	-	-	312	312	312	351	351	351
WDC2436MGD	312	312	312	312	-	-	-	312	-	312	312	342	342	-	384	384	384
WDC273615GD	-	-	-	-	-	369	369	-	369	-	-	369	369	369	414	414	414
WDC273615MGD	-	-	-	369	-	-	-	369	-	369	369	408	408	-	459	459	459
W1542GD	-	-	-	-	339	339	339	-	339	-	-	339	339	339	381	381	381
W1542MGD	-	-	-	339	-	-	-	339	-	339	339	372	372	-	417	417	417
W1842GD	-	-	-	-	-	447	447	-	447	-	-	447	447	447	501	501	501
W1842MGD	-	-	-	447	-	-	-	447	-	447	447	492	492	-	552	552	552
W2442BGD	-	-	-	-	-	-	570	-	-	-	-	-	-	597	639	-	-
W2442MGD	-	-	-	597	-	-	-	-	-	597	597	597	597	-	-	684	684
W3042BGD	-	-	-	-	693	693	693	-	693	-	-	693	693	693	777	777	777
W3042MGD	693	693	693	693	-	-	-	693	-	693	693	765	765	-	855	855	855
W3642BGD	-	-	-	-	969	969	969	-	969	-	-	969	969	969	1086	1086	1086
W3642MGD	-	-	-	-	-	-	-	969	-	969	969	-	969	-	1197	1197	-
WDC2442GD	-	-	-	-	366	366	366	-	366	-	-	366	366	366	411	411	411
WDC2442MGD	366	366	366	366	-	-	-	366	-	366	366	402	402	-	453	453	453
WDC274215GD	-	-	-	-	-	450	450	-	450	-	-	450	450	450	504	504	504
WDC274215MGD	-	-	-	450	-	-	-	450	-	450	450	495	495	-	555	555	555



# DECOR DOORS & ACCESSORIES



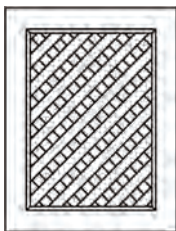
## END DECORATIVE DOORS



- EPW = Wall end decorative door
- EPB = Base end decorative door
- EPWP = Wall pantry/tall end decorative door

	KC	KM	KE	KW	VW	AP	AW	MR	AB	SL	GW	TW	TS	AG	AN	TG	TQ
<b>EPW1230D</b>	189	189	189	210	201	222	222	228	228	228	228	228	228	228	258	258	258
<b>EPW1236D</b>	231	231	231	255	243	270	270	279	279	279	279	279	279	279	315	315	315
<b>EPW1242D</b>	279	279	279	306	294	324	324	333	333	333	333	333	333	333	375	375	375
<b>EPB24D</b>	477	477	477	534	507	561	561	579	579	579	579	579	579	579	651	651	651
<b>EPWP2484D</b>	-	-	-	-	-	711	711	717	717	717	717	717	717	717	804	804	804
<b>EPWP2490D</b>	-	-	-	-	-	804	804	807	807	807	807	807	807	807	906	906	906
<b>EPWP2496D</b>	-	-	-	-	-	900	900	885	885	885	885	885	885	885	993	993	993

## LATTICE DOORS

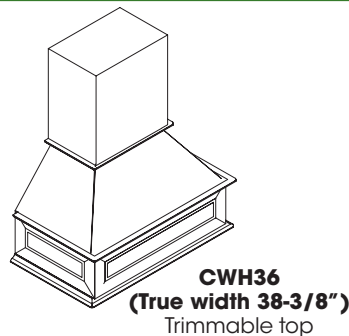
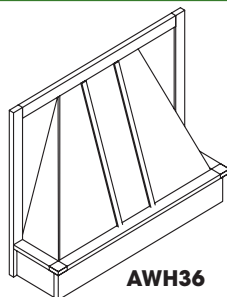


- Lattice doors only (2 pcs per pack) cabinet sold separately.
- Lattice doors option for sink base and base

	KC	KM	KE	KW	VW	AP	AW	MR	AB	SL	GW	TW	TS	AG	AN	TG	TQ
* <b>SB30B-ND-SP</b>	-	-	-	-	-	-	-	-	-	879	879	879	-	-	-	-	-
* <b>SB33B-ND-SP</b>	-	-	-	-	-	-	-	-	-	921	921	921	-	-	-	-	-
* <b>SB36B-ND-SP</b>	-	-	-	-	-	-	-	-	-	966	966	966	-	-	-	-	-

\*\* 30"W to 36" W - all styles with double headers \* B = butt door

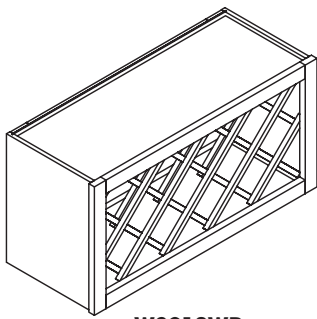
## RANGE HOODS



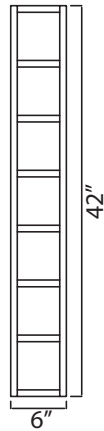
	KC	KM	KE	KW	VW	AP	AW	MR	AB	SL	GW	TW	TS	AG	AN	TG	TQ
<b>AWH36</b>	-	-	-	-	1536	1536	1536	-	1536	1536	1536	1536	1536	1536	1722	1722	1722
<b>CWH36</b>	-	-	-	-	-	-	-	-	1827	1827	1827	1827	1827	1827	2049	2049	2049

# SPECIAL CABINETS AND ROLL OUT TRAYS

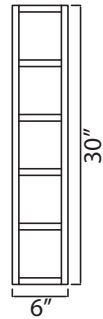
## SPECIAL CABINETS



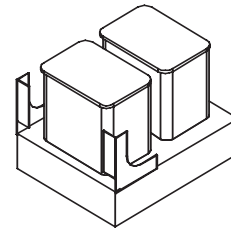
**W3018WR**  
(Wine Rack)



**WC6XX**  
(Wall Cubes)



- WC630 = 6" w x 30" h x 12" d with 5 cubes.
- WC636 = 6" w x 36" h x 12" d with 6 cubes.
- WC642 = 6" w x 42" h x 12" d with 7 cubes.

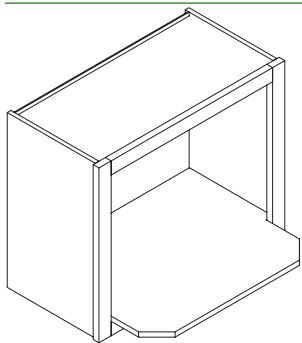


**TCR21-2**  
(Trash Can)

- TCR21-2 fits B18 or B21 (sold separately)
- Full extension, not soft closing
- Includes 2 plastic cans, approx 29qt capacity
- Installation is an additional \$38

	KC	KM	KE	KW	VW	AP	AW	MR	AB	SL	GW	TW	TS	AG	AN	TG	TQ
<b>W3018WR</b>	591	591	591	591	591	591	591	591	591	-	-	-	-	-	-	-	-
<b>TCR21-2</b>	1008	1008	1008	1008	1008	1008	1008	1008	1008	1008	1008	1008	1008	1008	-	1008	1008
<b>WC630</b>	-	-	-	453	453	-	453	-	453	-	453	453	453	453	-	510	510
<b>WC636</b>	-	-	-	534	534	-	534	-	534	-	534	534	534	534	-	600	600
<b>WC642</b>	-	-	-	615	615	-	615	-	615	-	615	615	615	615	-	690	690

## MICROWAVE OVEN



- Cabinet is 30" W x 18" H x 12" D
- Stationary shelf is 18" D
- Opening = 26 7/8" W x 14 1/8" H

	KC	KM	KE	KW	VW	AP	AW	MR	AB	SL	GW	TW	TS	AG	AN	TG	TQ
<b>MWO3018PM-12</b>	501	501	501	501	501	501	501	501	501	501	501	501	501	501	-	564	564

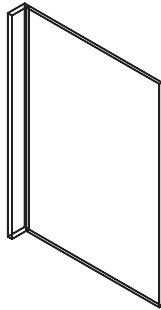
## \*ROLL OUT TRAY WITH DOVE TAIL DRAWER BOX

- Pre-assembled Dove Tail Drawer and Undermount Full Extension Soft Close Track
- Roll out trays and cabinets sold separately
- Roll out trays installed upon request in assembled cabinets (installation is additional \$20 per tray)

	KC	KM	KE	KW	VW	AP	AW	MR	AB	SL	GW	TW	TS	AG	AN	TG	TQ
<b>15RT-DR</b>	264	264	264	264	264	264	264	264	264	264	264	264	264	264	-	264	264
<b>18RT-DR</b>	297	297	297	297	297	297	297	297	297	297	297	297	297	297	-	297	297
<b>24RT-DR</b>	324	324	324	324	324	324	324	324	324	324	324	324	324	324	-	324	324
<b>27RT-DR</b>	357	357	357	357	357	357	357	357	357	357	357	357	357	357	-	357	357
<b>30RT-DR</b>	390	390	390	390	390	390	390	390	390	390	390	390	390	390	-	390	390
<b>33RT-DR</b>	474	474	474	474	474	474	474	474	474	474	474	474	474	474	-	474	474
<b>36RT-DR</b>	558	558	558	558	558	558	558	558	558	558	558	558	558	558	-	558	558

# PANELS

## DISHWASHER PANELS WITH 3" RETURN



• Edge not finished without 3" return

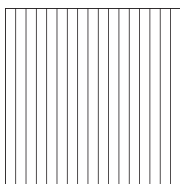
	KC	KM	KE	KW	VW	AP	AW	MR	AB	SL	GW	TW	TS	AG	AN	TG	TQ
<b>DWR33412</b>	240	240	240	240	240	240	240	240	240	240	240	240	240	240	270	270	270

## REFRIGERATOR END PANELS

- **REP24XX** and **REP24XX(3)** have 2 finished edges, usable with or without 3" return
- REP3096(3)-3/4" has 1 finished edge, usable with or without 3" return
- (3) = 3"W return

	KC	KM	KE	KW	VW	AP	AW	MR	AB	SL	GW	TW	TS	AG	AN	TG	TQ
<b>REP2484-3/4"</b>	627	627	627	627	627	627	627	627	627	627	627	627	627	627	705	705	705
<b>REP2496-3/4"</b>	717	717	717	717	717	717	717	717	717	717	717	717	717	717	804	804	804
<b>REP2484(3)-3/4"</b>	726	726	726	726	726	726	726	726	726	726	726	726	726	726	816	816	816
<b>REP2496(3)-3/4"</b>	867	867	867	867	867	867	867	867	867	867	867	867	867	867	972	972	972
<b>REP3096(3)-3/4"</b>	1176	1176	1176	1176	1176	1176	1176	1176	1176	1176	1176	1176	1176	1176	1320	1320	1320

## FINISHED BACK PANELS AND BEADED BOARD



**BP48**

- Finish Back Panel and Beaded Board Panel
- FBP with vertical grain (runs longways, along height)
- FBP489614 = 1/4" thick finish back panel (48"W x 96"H)
- FBP483614 = 1/4" thick finish back panel (48"W x 36"H)
- FBP369614 = 1/4" thick finish back panel (36"W x 96"H)
- BP48341214 = 1/4" thick bead board panel (48"W x 34 1/2"H)
- Finished on 1-side

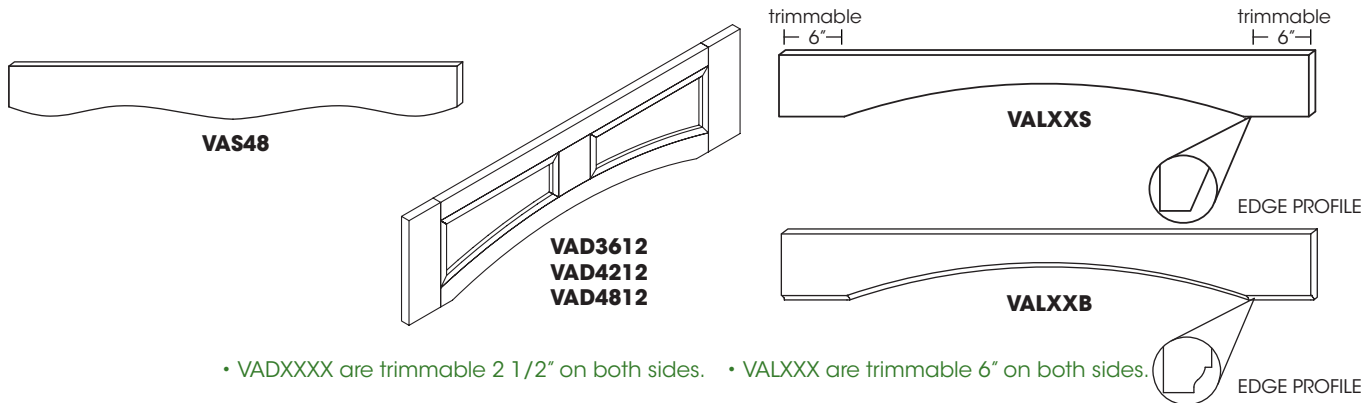
	KC	KM	KE	KW	VW	AP	AW	MR	AB	SL	GW	TW	TS	AG	AN	TG	TQ
<b>FBP483614(1)</b>	285	285	-	285	285	285	285	285	285	285	285	285	285	285	321	321	321
<b>FBP369614(1)</b>	480	480	-	480	480	480	480	480	480	480	480	480	480	480	540	540	540
<b>FBP489614(1)</b>	507	507	507	507	507	507	507	507	507	507	507	507	507	507	570	570	570
<b>BP48341214</b>	477	477	477	477	477	477	477	477	477	477	477	477	477	477	537	537	537

## TOE KICK

	KC	KM	KE	KW	VW	AP	AW	MR	AB	SL	GW	TW	TS	AG	AN	TG	TQ
<b>TK8</b>	147	147	147	147	147	147	147	147	147	147	147	147	147	147	165	165	165

# TRIM DETAILS

## VALANCES

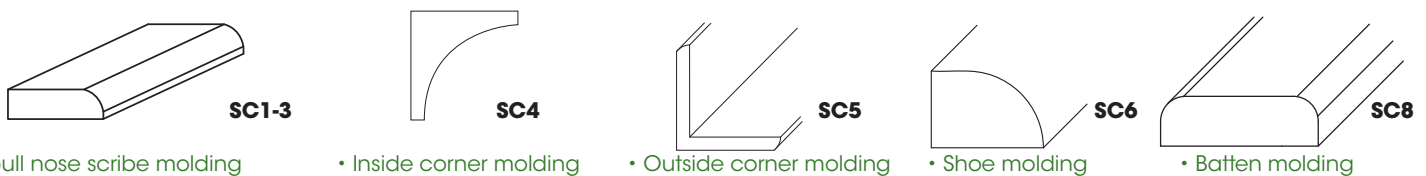


• VADXXXX are trimmable 2 1/2" on both sides. • VALXXX are trimmable 6" on both sides.

Item photos on pg. 58

	KC	KM	KE	KW	VW	AP	AW	MR	AB	SL	GW	TW	TS	AG	AN	TG	TQ
<b>VAS48</b>	126	126	126	126	126	126	126	126	-	126	-	-	-	-	-	-	-
<b>VAD3612</b>	345	345	345	345	345	345	345	345	-	345	345	-	-	-	-	-	390
<b>VAD4212</b>	435	435	435	435	435	435	435	435	-	435	435	-	-	-	-	-	492
<b>VAD4812</b>	546	546	546	546	546	546	546	546	-	546	546	-	-	-	-	-	618
<b>VAL48B</b>	-	-	-	339	-	-	-	-	-	339	339	339	-	-	-	381	381
<b>VAL54B</b>	-	-	-	369	-	-	-	-	-	369	369	369	-	-	-	414	414
<b>VAL48S</b>	-	-	-	-	267	267	267	-	339	-	-	-	339	339	381	-	-
<b>VAL54S</b>	-	-	-	-	297	297	297	-	369	-	-	-	369	369	414	-	-

## CORNER MOLDINGS

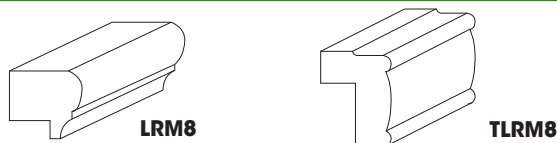


• bull nose scribe molding • Inside corner molding • Outside corner molding • Shoe molding • Batten molding

Item photos on pg. 60

	KC	KM	KE	KW	VW	AP	AW	MR	AB	SL	GW	TW	TS	AG	AN	TG	TQ
<b>SC1-3 (SM)</b>	60	60	60	60	60	60	60	60	60	60	60	60	60	60	69	69	69
<b>SC4 (ICM)</b>	87	87	87	87	87	87	87	87	87	87	87	87	87	87	99	99	99
<b>SC5 (OCM)</b>	84	84	84	84	84	84	84	84	84	84	84	84	84	84	96	96	96
<b>SC6 (SM)</b>	96	96	96	96	96	-	96	-	96	96	96	96	96	96	111	111	111
<b>SC8 (BM)</b>	90	90	90	90	90	-	90	-	90	90	90	90	90	90	105	105	105

## LIGHT RAIL MOLDINGS



Item photos on pg. 60

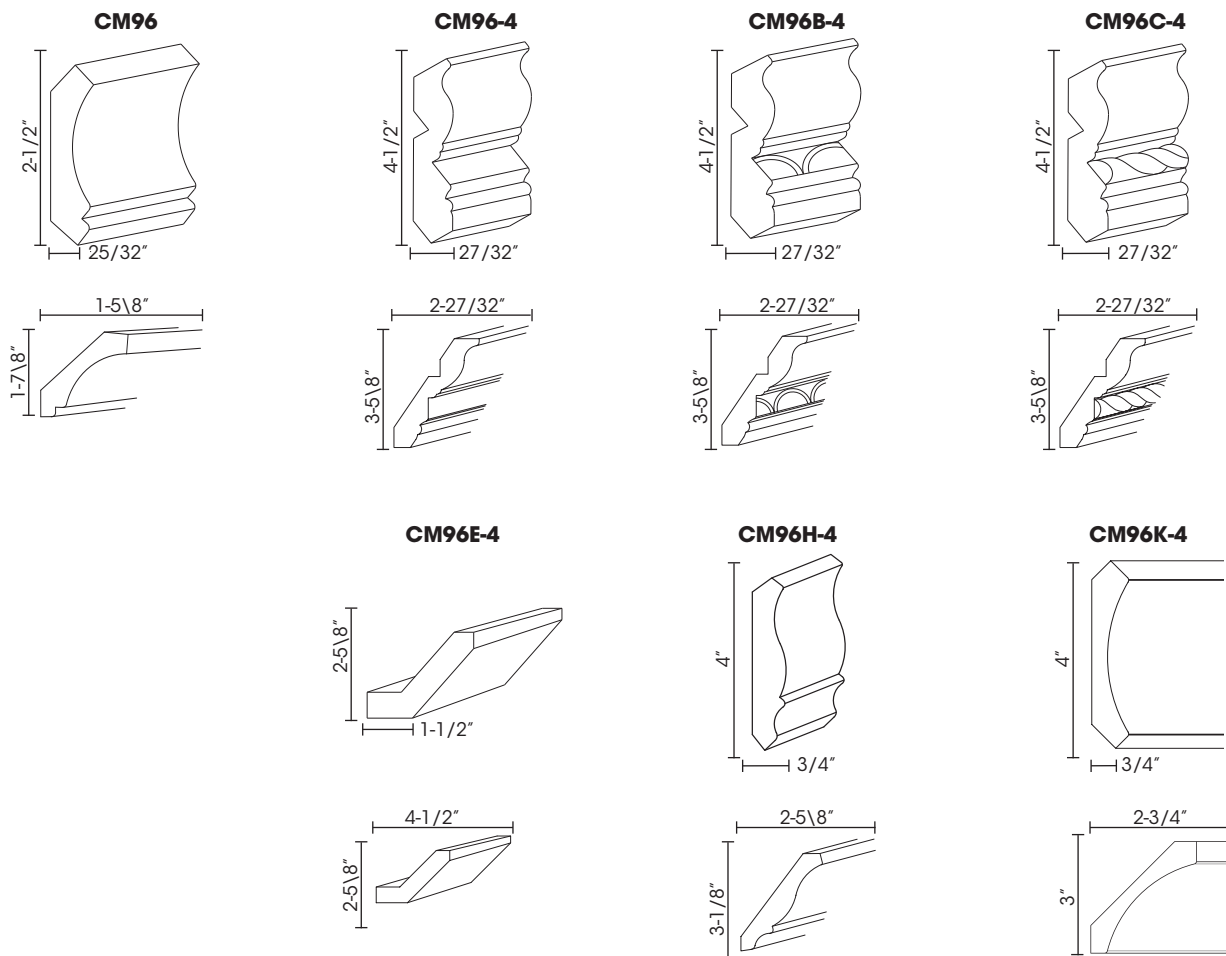
	KC	KM	KE	KW	VW	AP	AW	MR	AB	SL	GW	TW	TS	AG	AN	TG	TQ
<b>LRM8</b>	243	243	243	243	243	243	243	243	243	243	243	243	243	243	273	273	273
<b>TLRM8</b>	594	594	594	594	594	594	594	594	594	594	594	594	594	594	666	666	666





# TRIM DETAILS (CONT.)

## CROWN MOLDINGS



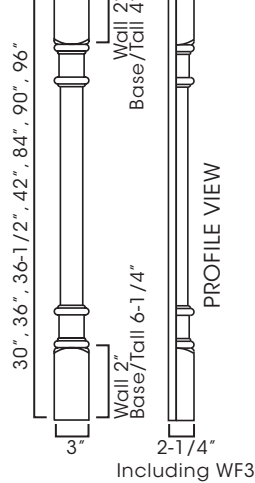
- Measurements are approximate projections.
- CM96B-4 = crown molding with egg and dart detail (Rope detail fastened to molding.)
- CM96C-4 = crown molding with rope detail (Rope detail fastened to molding.)
- CM96E-4 = crown molding is straight
- CM96K-4 = crown molding with large cove detail
- Molding details applied. No installation required.

### Item photos on pg. 58

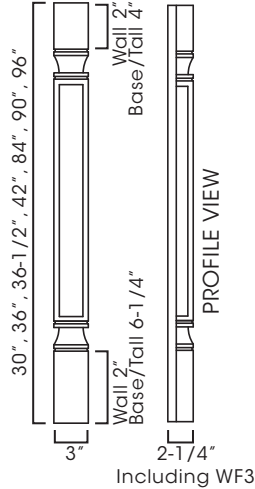
	KC	KM	KE	KW	VW	AP	AW	MR	AB	SL	GW	TW	TS	AG	AN	TG	TQ
<b>CM96</b>	222	222	222	222	222	222	222	222	222	222	222	222	222	222	249	249	249
<b>CM96-4</b>	357	357	357	357	357	357	357	357	357	357	357	357	-	-	-	-	405
<b>CM96B-4</b>	-	-	-	-	-	-	-	-	-	489	-	-	-	-	-	-	-
<b>CM96C-4</b>	-	-	-	489	-	-	-	489	-	489	489	489	-	-	-	-	-
<b>CM96E-4</b>	-	-	-	468	468	468	468	-	-	-	468	468	-	-	-	-	-
<b>CM96H-4</b>	-	-	-	357	357	357	357	-	357	357	357	357	357	357	402	402	402
<b>CM96K-4</b>	-	-	-	420	420	420	420	-	420	-	420	420	420	420	471	471	-

# DÉCOR LEGS AND PILASTERS

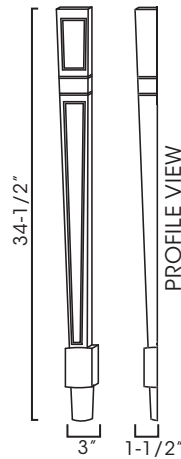
**POLE28-XXXX**  
(SL ONLY / HALF LEG)



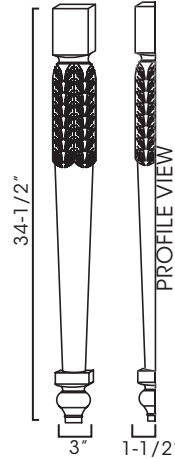
**POLE75-XXXX**  
HALF LEG



**LEG82**  
HALF LEG

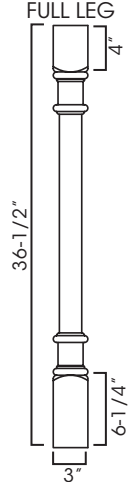


**LEG83\***  
HALF LEG

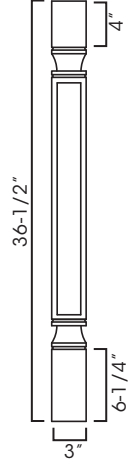


- POLE28-B3 = Half leg 3" w x 36-1/2" h x 2-1/4" d including WF3 (trimmable). SL ONLY
- POLE28-WXXX = Half leg 3" w x 30" h, 36" h, 42" h x 2-1/4" d including WF3. SL ONLY
- POLE28-TXXX = Half tall leg 3" w x 84" h, 90" h, 96" h x 2-1/4" d including WF3 (trimmable). SL ONLY
- POLE75-B3 = Half leg 3" w x 36-1/2" h x 2-1/4" d including WF3 (trimmable).
- POLE75-WXXX = Half leg 3" w x 30" h, 36" h, 42" h x 2-1/4" d including WF3.
- POLE75-TXXX = Half tall leg 3" w x 84" h, 90" h, 96" h x 2-1/4" d including WF3 (trimmable).
- LEG82 = Half leg 3" w x 34-1/2" h x 1-1/2" d
- LEG83\* = Half leg 3" w x 34-1/2" h x 1-1/2" d
- LEG28 = Full leg 3" w x 36-1/2" h x 3" d (trimmable). SL ONLY
- LEG75 = Full leg 3" w x 36-1/2" h x 3" d (trimmable).
- LEG81 = Full leg 3" w x 34-1/2" h x 3" d
- TP3/WF34-1/2 = Full leg 3" w x 34-1/2" h x 3" d with wall filler 3" w x 34-1/2" h x 3/4" d
- LEG-SMALL51 = Half leg 3" w x 4-1/2" h x 1-1/2" d
- LEG-SMALL52 = Half leg 3" w x 4-1/2" h x 1-1/2" d

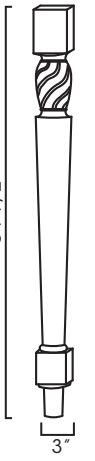
**LEG28 B3X3**  
(SL ONLY)  
FULL LEG



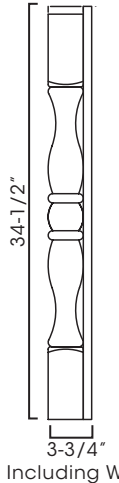
**LEG75 B3X3**  
FULL LEG



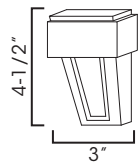
**LEG81**  
FULL LEG



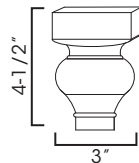
**TP3**  
FULL LEG



**LEG-SMALL51**  
HALF LEG



**LEG-SMALL52**  
HALF LEG



Item photos on pg. 59

	KC	KM	KE	KW	VW	AP	AW	MR	AB	SL	GW	TW	TS	AG	AN	TG	TQ
<b>TP3/WF34-1/2"</b>	621	621	621	621	621	621	621	621	-	621	621	621	-	-	-	-	705
<b>LEG28 B3x3</b>	-	-	-	-	-	-	-	-	-	750	-	-	-	-	-	-	594
<b>LEG75 B3x3</b>	-	-	-	750	750	-	750	-	750	-	750	750	750	750	840	840	840
<b>LEG81</b>	-	-	-	525	525	525	525	525	-	525	525	525	-	-	-	-	594
<b>LEG82</b>	-	-	-	-	498	498	498	498	-	-	-	-	-	-	-	-	-
<b>LEG83*</b>	-	-	-	582	582	-	-	-	-	582	582	582	-	-	-	-	660
<b>LEG-SMALL51</b>	-	-	-	-	-	-	-	102	-	-	-	-	-	-	-	-	-
<b>LEG-SMALL52</b>	123	-	-	-	-	-	-	123	-	-	-	-	-	-	-	-	-
<b>POLE28-B3</b>	-	-	-	-	-	-	-	-	-	681	-	-	-	-	-	-	771
<b>POLE28-W330</b>	-	-	-	-	-	-	-	-	-	378	-	-	-	-	-	-	429
<b>POLE28-W336</b>	-	-	-	-	-	-	-	-	-	417	-	-	-	-	-	-	474
<b>POLE28-W342</b>	-	-	-	-	-	-	-	-	-	480	-	-	-	-	-	-	543
<b>POLE28-T384</b>	-	-	-	-	-	-	-	-	-	825	-	-	-	-	-	-	-
<b>POLE28-T390</b>	-	-	-	-	-	-	-	-	-	873	-	-	-	-	-	-	-
<b>POLE28-T396</b>	-	-	-	-	-	-	-	-	-	924	-	-	-	-	-	-	-

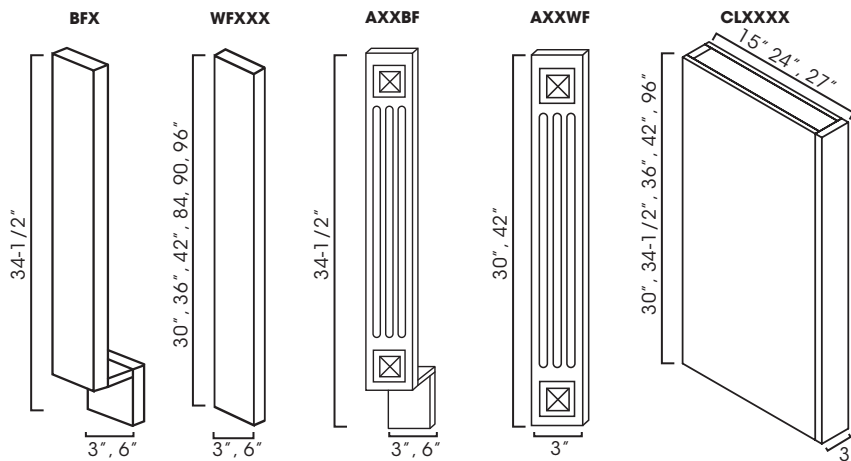
# FILLERS

## DÉCOR LEGS (CONTINUED)



	KC	KM	KE	KW	VW	AP	AW	MR	AB	SL	GW	TW	TS	AG	AN	TG	TQ
<b>POLE75-B3</b>	-	-	-	681	681	-	681	-	681	-	681	681	681	681	765	765	765
<b>POLE75-W330</b>	-	-	-	378	378	-	378	-	378	-	378	378	378	378	426	426	426
<b>POLE75-W336</b>	-	-	-	417	417	-	417	-	417	-	417	417	417	417	468	468	468
<b>POLE75-W342</b>	-	-	-	480	480	-	480	-	480	-	480	480	480	480	540	540	540
<b>POLE75-T384</b>	-	-	-	825	825	-	825	-	825	-	825	825	825	825	924	924	924
<b>POLE75-T390</b>	-	-	-	873	873	-	873	-	873	-	873	873	873	873	978	978	978
<b>POLE75-T396</b>	-	-	-	924	924	-	924	-	924	-	924	924	924	924	1035	1035	1035

## WALL & BASE FILLERS AND BOXED COLUMNS



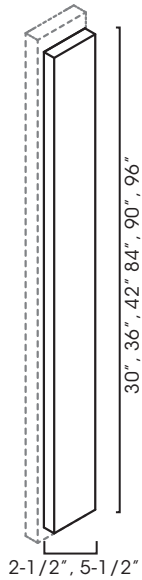
- **BF3** = Base filler 3" w x 34-1/2" h x 3/4" d
- **BF6** = Base filler 6" w x 34-1/2" h x 3/4" d
- **WF3XX** = Wall filler 3" w x 30" h, 36" h, 42" h, 84" h, 90" h, 96" h x 3/4" d
- **WF6XX** = Wall filler 6" w x 30" h, 36", 42" h x 3/4" d
- **A3BF** = Decorative base filler. Fluted with beveled square. 3" w x 34-1/2" h x 3/4" d
- **A6BF** = Decorative base filler. Fluted with beveled square. 6" w x 34-1/2" h x 3/4" d
- **AxxWF** = Decorative wall filler. Fluted with beveled square. 3" w x 30" h, 36" h, 42" h x 3/4" d
- **CLB334-1/2** = Column box base. 3" w x 34-1/2" h x 24" d
- **CLWxxx** = Column wall. 3" w x 30" h x 36" h x 42" h, x 15" d (Boxed columns can be used as floating shelves)
- **CLW396** = Column tall. 3" w x 96" h x 27" d (\*CLW396 is trimmable to custom height)
- Fillers are 3/4" thick and finished on all sides and edges.

Boxed columns can be used as floating shelves

	KC	KM	KE	KW	VW	AP	AW	MR	AB	SL	GW	TW	TS	AG	AN	TG	TQ
<b>WF3-3/4</b>	66	66	66	66	66	66	66	66	66	66	66	66	66	66	75	75	75
<b>WF336-3/4</b>	81	81	81	81	81	81	81	81	81	81	81	81	81	81	93	93	93
<b>WF342-3/4</b>	102	102	102	102	102	102	102	102	102	102	102	102	102	102	117	117	117
<b>WF384-3/4</b>	189	189	189	189	189	189	189	189	189	189	189	189	189	189	213	213	213
<b>WF396-3/4</b>	222	222	222	222	222	222	222	222	222	222	222	222	222	222	249	249	249
<b>WF6-3/4</b>	135	135	135	135	135	135	135	135	135	135	135	135	135	135	153	153	153
<b>WF642-3/4</b>	198	198	198	198	198	198	198	198	198	198	198	198	198	198	222	222	222
<b>WF696-3/4</b>	435	435	435	435	435	435	435	435	435	435	435	435	435	435	489	489	489
<b>BF3-3/4</b>	108	108	108	108	108	108	108	108	108	108	108	108	108	108	123	123	123
<b>BF6-3/4</b>	183	183	183	183	183	183	183	183	183	183	183	183	183	183	207	207	207
<b>A30WF</b>	-	108	108	108	108	108	108	108	-	108	108	108	-	-	-	-	123
<b>A36WF</b>	135	135	135	135	135	135	135	135	-	135	135	135	-	-	-	-	153
<b>A42WF</b>	153	153	153	153	153	153	153	153	-	153	153	153	-	-	-	-	174
<b>A3BF</b>	147	147	147	147	147	147	147	147	-	147	147	147	-	-	-	-	168
<b>A6BF</b>	306	306	-	306	306	306	306	306	-	306	306	306	-	-	-	-	348
<b>CLB334-1/2</b>	-	-	-	510	510	-	510	-	510	510	510	510	510	510	573	573	573
<b>CLW330</b>	-	-	-	330	330	-	330	-	330	330	330	330	330	330	372	372	372
<b>CLW336</b>	-	-	-	393	393	-	393	-	393	393	393	393	393	393	441	441	441
<b>CLW342</b>	-	-	-	459	459	-	459	-	459	459	459	459	459	459	516	516	516
<b>CLW396</b>	-	-	-	1530	1530	-	1530	-	1530	1530	1530	1530	1530	1530	1716	1716	1716

# TRIM DETAILS (CONT.)

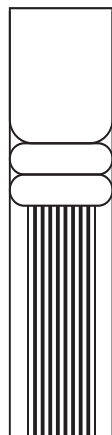
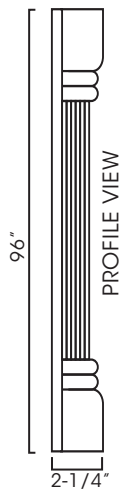
## OVERLAY FILLERS



- 3/4" Solid wood
- Outer profile matches door style
- Mounted to wall filler, base filler, or column boxes. Fillers sold separately.
- OLF330 = Actual size 2-1/2" w x 29-1/4" h x 3/4" d
- OLF336 = Actual size 2-1/2" w x 35-1/4" h x 3/4" d
- OLF342 = Actual size 2-1/2" w x 41-1/4" h x 3/4" d
- OLF630 = Actual size 5-1/2" w x 29-1/4" h x 3/4" d
- OLF636 = Actual size 5-1/2" w x 35-1/4" h x 3/4" d
- OLF642 = Actual size 5-1/2" w x 41-1/4" h x 3/4" d
- OLF384 = Actual size 2-1/2" w x 78-3/4" h x 3/4" d
- OLF390 = Actual size 2-1/2" w x 84-3/4" h x 3/4" d
- OLF396 = Actual size 2-1/2" w x 90-3/4" h x 3/4" d

	KC	KM	KE	KW	VW	AP	AW	MR	AB	SL	GW	TW	TS	AG	AN	TG	TQ
<b>OLF330</b>	-	-	-	66	66	-	66	-	66	66	66	66	66	66	75	75	75
<b>OLF336</b>	-	-	-	81	81	-	81	-	81	81	81	81	81	81	93	93	93
<b>OLF342</b>	-	-	-	102	102	-	102	-	102	102	102	102	102	102	117	117	117
<b>OLF630</b>	-	-	-	123	123	-	123	-	123	123	123	123	123	123	138	138	138
<b>OLF636</b>	-	-	-	162	162	-	162	-	162	162	162	162	162	162	183	183	183
<b>OLF642</b>	-	-	-	180	180	-	180	-	180	180	180	180	180	180	204	204	204
<b>OLF384</b>	-	-	-	285	285	-	285	-	285	285	285	285	285	285	321	321	321
<b>OLF390</b>	-	-	-	339	339	-	339	-	339	339	339	339	339	339	381	381	381
<b>OLF396</b>	-	-	-	387	387	-	387	-	387	387	387	387	387	387	435	435	435

## TRIMMABLE PILASTER

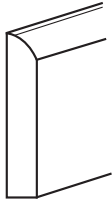


- Solid wood
- Trimmable to different length & depth

	KC	KM	KE	KW	VW	AP	AW	MR	AB	SL	GW	TW	TS	AG	AN	TG	TQ
<b>CFC96</b>	-	-	-	-	-	-	-	-	-	930	-	-	-	-	-	-	-

# TRIM DETAILS (CONT.)

## BASE BOARD MOLDING

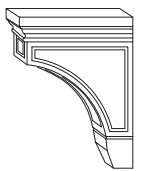


• No glaze line on TQ

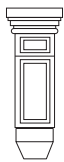
Item photos on pg. 60

	KC	KM	KE	KW	VW	AP	AW	MR	AB	SL	GW	TW	TS	AG	AN	TG	TQ
<b>BM4-1/2"-5/8"</b>	348	348	348	348	348	348	348	348	348	348	348	348	348	348	390	390	390

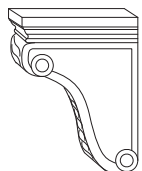
## CORBELS & APPLIQUES



**SMALL: CORBEL 54**  
**LARGE: CORBEL 59**  
Raised Center



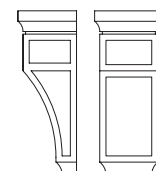
**CORBEL 55**  
**CORBEL 58**



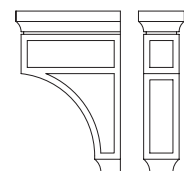
**CORBEL 56**  
**CORBEL 57**



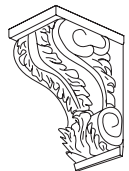
**SMALL CORBEL 75S**  
Recessed Center



**MEDIUM CORBEL 75M**  
Recessed Center



**LARGE CORBEL 75L**  
Recessed Center



**CORBEL 60S**  
**CORBEL 60L**



**DOA**

- CORBEL 54, 55, 56 Small = 3" w x 6" h x 4" d
- CORBEL 57, 58, 59 Large = 3" w x 9" h x 6" d
- CORBEL60S Small = 5" w x 10" h x 5" d
- CORBEL60L Large = 7" w x 17" h x 7" d
- CORBEL75S Small = 3-3/4" w x 6-1/2" H x 3-1/2" d
- CORBEL75M Medium = 5-1/4" w x 12-1/2" h x 4-1/2" d
- CORBEL75L Large = 3-1/2" w x 12-1/2" h x 8" d

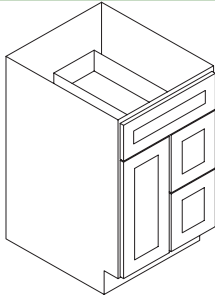
Item photos on pg. 60

	KC	KM	KE	KW	VW	AP	AW	MR	AB	SL	GW	TW	TS	AG	AN	TG	TQ
<b>DOA</b>	-	609	-	609	-	609	-	609	-	609	-	-	-	-	-	-	-
<b>CORBEL54</b>	195	-	195	-	-	-	-	195	-	-	-	-	-	-	-	-	-
<b>CORBEL55</b>	-	-	-	-	-	-	-	339	-	-	-	-	-	-	-	-	-
<b>CORBEL56</b>	-	-	-	381	381	-	-	381	-	381	381	381	-	-	-	-	432
<b>CORBEL57</b>	594	-	-	594	594	-	-	594	-	594	594	594	-	-	-	-	672
<b>CORBEL58</b>	-	-	-	-	-	513	-	513	-	-	-	-	-	-	-	-	-
<b>CORBEL59</b>	285	-	285	285	285	285	285	285	285	-	285	285	285	285	321	321	321
<b>CORBEL60S</b>	540	-	-	540	540	-	-	540	540	540	540	540	-	-	-	-	540
<b>CORBEL60L</b>	1170	-	-	-	-	-	-	1170	-	1170	-	-	-	-	-	-	-
<b>CORBEL75S</b>	-	-	-	477	477	-	477	-	477	-	477	477	477	477	537	537	537
<b>CORBEL75M</b>	-	-	-	651	651	-	651	-	651	-	651	651	651	651	732	732	732
<b>CORBEL75L</b>	-	-	-	690	690	-	690	-	690	-	690	690	690	690	774	774	774

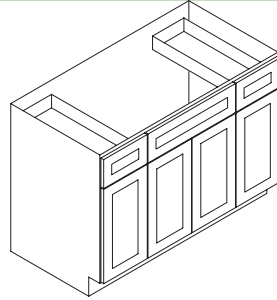


# VANITIES

## VANITIES – WITH DRAWERS



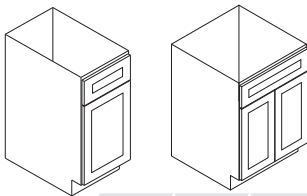
**S3021DR**



**S4821B**

	KC	KM	KE	KW	VW	AP	AW	MR	AB	SL	GW	TW	TS	AG	AN	TG	TG
<b>S3021DL-34-1/2"</b>	1113	1113	1113	1278	-	1311	1311	1341	1341	1341	1341	1341	1341	1341	1503	1503	1503
<b>S3021DR-34-1/2"</b>	1113	1113	1113	1278	-	1311	1311	1341	1341	1341	1341	1341	1341	1341	1503	1503	1503
<b>S3621BDL-34-1/2"</b>	1245	1245	1245	1422	-	1494	1494	1536	1536	1536	1536	1536	1536	1536	1722	1722	1722
<b>S3621BDR-34-1/2"</b>	1245	1245	1245	1422	-	1494	1494	1536	1536	1536	1536	1536	1536	1536	1722	1722	1722
<b>S4821B12D-34-1/2"</b>	-	-	-	1917	-	2013	2013	-	2097	2097	2097	2097	2097	2097	2349	2349	2349

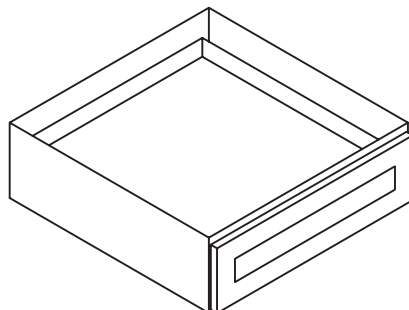
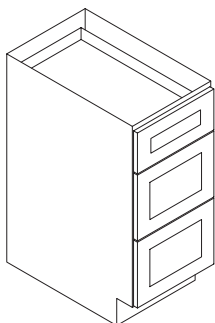
## VANITIES – WITH DRAWERS



• S2421-30" - Available in CYOF and K-Series lines. 30"H only.

	KC	KM	KE	KW	VW	AP	AW	MR	AB	SL	GW	TW	TS	AG	AN	TG	TQ
<b>S2421B - 30" H</b>	642	642	-	-	-	-	-	-	-	-	-	-	-	-	-	-	-
<b>S2421B-34-1/2"</b>	678	678	678	690	-	726	726	750	750	750	750	750	750	750	840	840	840
<b>S3021B-34-1/2"</b>	795	795	795	876	-	921	921	945	945	945	945	945	945	945	1059	1059	1059
<b>S3621B-34-1/2"</b>	930	930	930	1050	-	1104	1104	1140	1140	1140	1140	1140	1140	1140	1278	1278	1278

\* B = butt door



• SVB = Vanity drawer pack 34"H x 24"D  
• SVDU = Desk drawer 30"W x 20"D

	KC	KM	KE	KW	VW	AP	AW	MR	AB	SL	GW	TW	TS	AG	AN	TG	TG
<b>SVB1221-34-1/2"</b>	1197	1197	1197	1320	-	1386	1386	1428	1428	1428	1428	1428	1428	1428	1602	1602	1602
<b>SVB1521-34-1/2"</b>	1260	1260	1260	1380	-	1449	1449	1494	1494	1494	1494	1494	1494	1494	1674	1674	1674
<b>SVDU3021-7"</b>	-	-	-	387	-	402	402	408	408	408	408	408	408	408	459	459	459

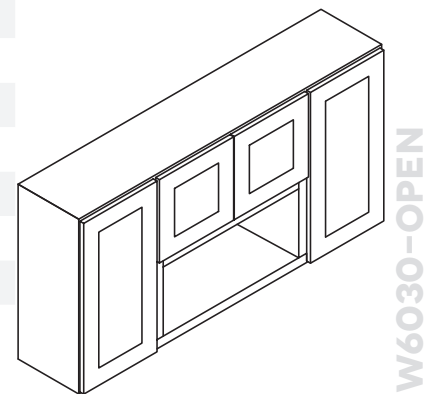
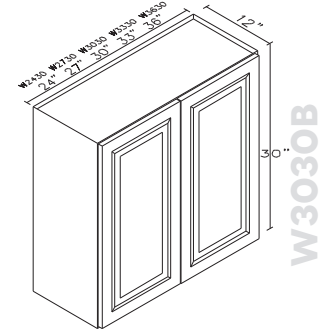
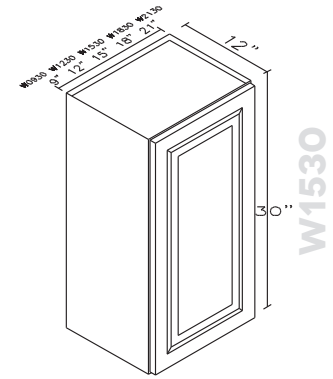
\*Subject to Change without notice; TSG not responsible for printing errors; or discontinued items\* Please refer to "Spec sheet page" for detailed specifications



# SPEC SHEETS

# SPEC SHEET 1 (WALL CABINETS)

Item#	Width	Height	Depth	Door	Drawer	Shelf
<b>W0930</b>	9"	30"	12"	1	0	2
<b>W1230</b>	12"	30"	12"	1	0	2
<b>W1530*</b>	15"	30"	12"	1	0	2
<b>W1830</b>	18"	30"	12"	1	0	2
<b>W2130</b>	21"	30"	12"	1	0	2
<b>W2430B</b>	24"	30"	12"	2	0	2
<b>W2730B</b>	27"	30"	12"	2	0	2
<b>W3030B</b>	30"	30"	12"	2	0	2
<b>W3330B</b>	33"	30"	12"	2	0	2
<b>W3630B</b>	36"	30"	12"	2	0	2
<b>W4230</b>	42"	30"	12"	2	0	2
<b>W6030-OPEN</b>	60"	15"/30"	12"	4	0	5
<b>W0936</b>	9"	36"	12"	1	0	2
<b>W1236</b>	12"	36"	12"	1	0	2
<b>W1536</b>	15"	36"	12"	1	0	2
<b>W1836</b>	18"	36"	12"	1	0	2
<b>W2136</b>	21"	36"	12"	1	0	2
<b>W2436B</b>	24"	36"	12"	2	0	2
<b>W2736B</b>	27"	36"	12"	2	0	2
<b>W3036B</b>	30"	36"	12"	2	0	2
<b>W3336B</b>	33"	36"	12"	2	0	2
<b>W3636B</b>	36"	36"	12"	2	0	2
<b>W0942</b>	9"	42"	12"	1	0	3
<b>W1242</b>	12"	42"	12"	1	0	3
<b>W1542</b>	15"	42"	12"	1	0	3
<b>W1842</b>	18"	42"	12"	1	0	3
<b>W2142</b>	21"	42"	12"	1	0	3
<b>W2442B</b>	24"	42"	12"	2	0	3
<b>W2742B</b>	27"	42"	12"	2	0	3
<b>W3042B</b>	30"	42"	12"	2	0	3
<b>W3342B</b>	33"	42"	12"	2	0	3
<b>W3642B</b>	36"	42"	12"	2	0	3

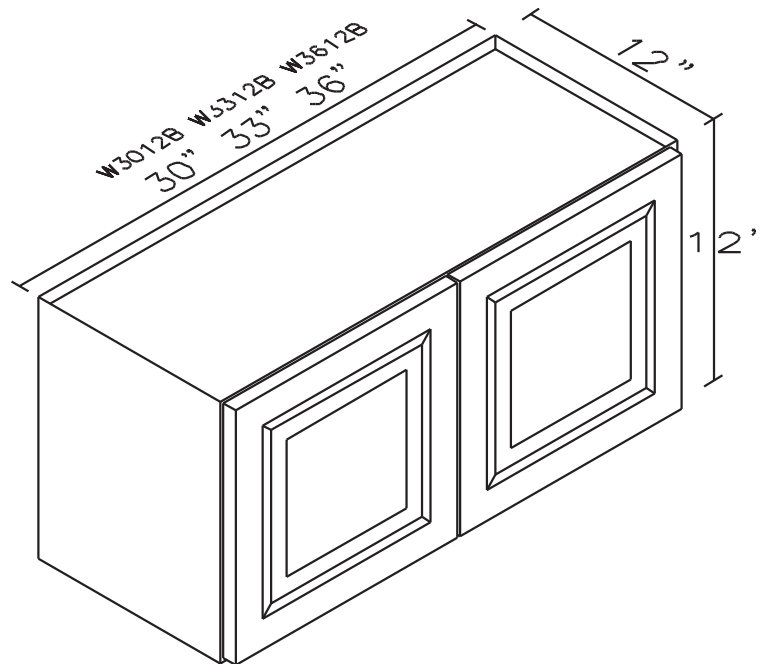


\*Each W1530 (in W6030-open) has 2 shelves and 1 open shelf in center

# SPEC SHEET 2 (WALL CABINETS)



Item#	Width	Height	Depth	Door	Drawer	Shelf
<b>W3012B</b>	30"	12"	12"	2	0	0
<b>W3312B</b>	33"	12"	12"	2	0	0
<b>W3612B</b>	36"	12"	12"	2	0	0
<b>W361224B</b>	36"	12"	24"	2	0	0
<b>W2415B</b>	24"	15"	12"	2	0	0
<b>W3015B</b>	30"	15"	12"	2	0	0
<b>W301524B</b>	30"	15"	24"	2	0	0
<b>W3315B</b>	33"	15"	12"	2	0	0
<b>W3615B</b>	36"	15"	12"	2	0	0
<b>W361524B</b>	36"	15"	24"	2	0	0
<b>W2418B</b>	24"	18"	12"	2	0	0
<b>W3018B</b>	30"	18"	12"	2	0	0
<b>W3318B</b>	33"	18"	12"	2	0	0
<b>W3618B</b>	36"	18"	12"	2	0	0
<b>W361824B</b>	36"	18"	24"	2	0	0
<b>W2424B</b>	24"	24"	12"	2	0	1
<b>W3024B</b>	30"	24"	12"	2	0	1
<b>W302424B</b>	30"	24"	24"	2	0	1
<b>W3324B</b>	33"	24"	12"	2	0	1
<b>W332424B</b>	33"	24"	24"	2	0	1
<b>W3624B</b>	36"	24"	12"	2	0	1
<b>W362424B</b>	36"	24"	24"	2	0	1



\*All Glass Doors come without hinges (no hinges)

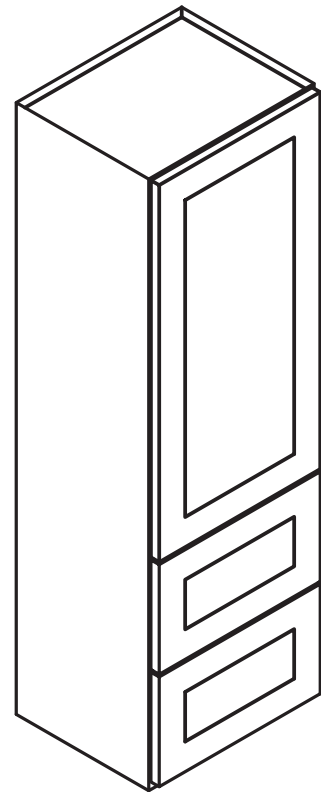
# SPEC SHEET 3 (WALL CABINETS)

Item#	Width	Height	Depth	Door	Drawer	Shelf
<b>WDC2430</b>	24"	30"	12"	1	0	2
<b>WDC2436</b>	24"	36"	12"	1	0	2
<b>WDC2442</b>	24"	42"	12"	1	0	3
<b>WDC273615</b>	27"	36"	15"	1	0	2
<b>WDC274215</b>	27"	42"	15"	1	0	3
<b>WBLC30/33-3030</b>	30"	30"	12"	1	0	2
<b>WBLC30/33-3036</b>	30"	36"	12"	1	0	2
<b>WBLC30/33-3042</b>	30"	42"	12"	1	0	3
<b>WBLC39/42-3630</b>	36"	30"	12"	1	0	2
<b>WBLC39/42-3636</b>	36"	36"	12"	1	0	2
<b>WBLC39/42-3642</b>	36"	42"	12"	1	0	3

- Max Pull to 42"W (with 9"W center board)
- With double (2) doors on WBLCxxxx
- Specify door Right or Left when ordering (not blind)

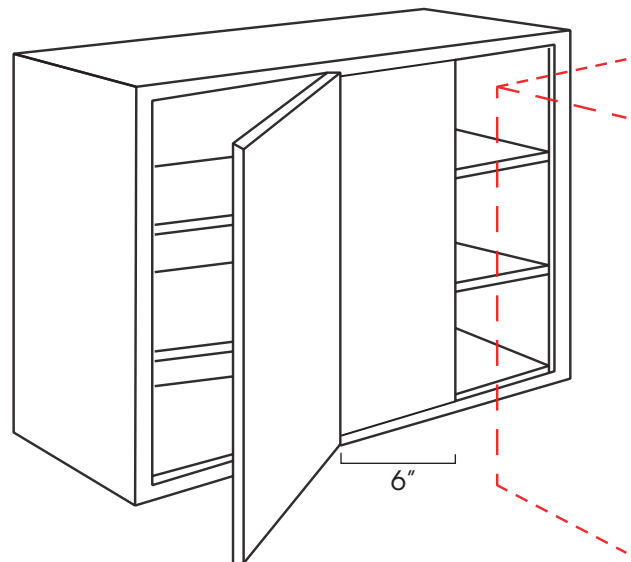
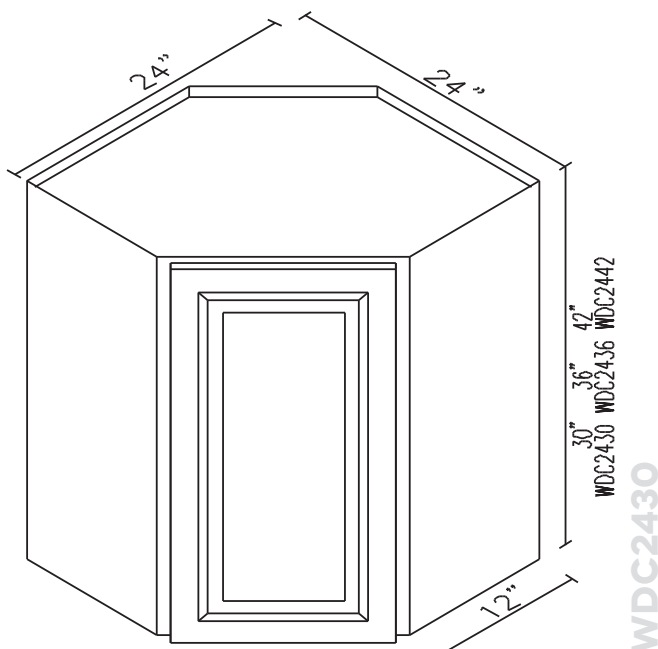
**Door Size (Width):**

- All Styles 11-3/16"



Item#	Width	Height	Depth	Door	Drawer	Shelf
<b>W2D1848</b>	18"	48"	12"	1	2	2
<b>W2D1854</b>	18"	54"	12"	1	2	2
<b>W2D1860</b>	18"	60"	12"	1	2	3

W2Dxxxx, tracks are NOT soft closing



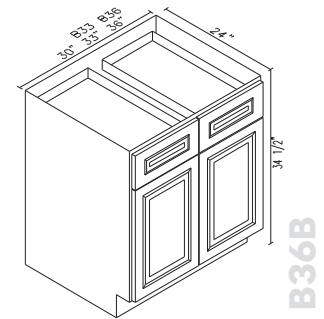


# SPEC SHEET 4 (BASE CABINETS)

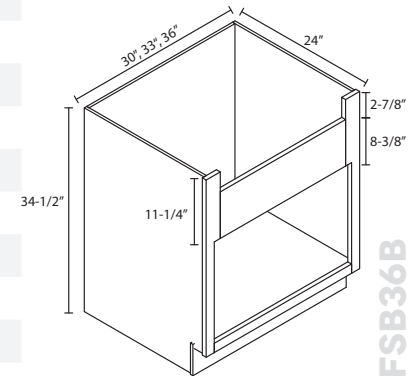


Item#	Width	Height	Depth	Door	Drawer	Shelf
<b>BFP09</b>	9"	34-1/2"	24"	1	0	0
<b>FB09</b>	9"	34-1/2"	24"	1	0	1
<b>B09</b>	9"	34-1/2"	24"	1	1	1
<b>B12</b>	12"	34-1/2"	24"	1	1	1
<b>B15</b>	15"	34-1/2"	24"	1	1	1
<b>B18</b>	18"	34-1/2"	24"	1	1	1
<b>B21</b>	21"	34-1/2"	24"	1	1	1
<b>B24B</b>	24"	34-1/2"	24"	2	1	1
<b>B27B</b>	27"	34-1/2"	24"	2	1	1
<b>B30B*</b>	30"	34-1/2"	24"	2	1	1
<b>B33B</b>	33"	34-1/2"	24"	2	2	1
<b>B36B</b>	36"	34-1/2"	24"	2	2	1
<b>SB24</b>	24"	34-1/2"	24"	2	0	0
<b>SB27B</b>	27"	34-1/2"	24"	2	0	0
<b>SB30B</b>	30"	34-1/2"	24"	2	0	0
<b>SB33B</b>	33"	34-1/2"	24"	2	0	0
<b>SB36B</b>	36"	34-1/2"	24"	2	0	0
<b>SB42</b>	42"	34-1/2"	24"	2	0	0
<b>SB60B</b>	60"	34-1/2"	24"	4	2	2
<b>W6030-OPEN</b>	60"	15"/30"	12"	4	0	5
<b>FSB30B</b>	30"	34-1/2"	24"	2	0	0
<b>FSB33B</b>	33"	34-1/2"	24"	2	0	0
<b>FSB36B</b>	36"	34-1/2"	24"	2	0	0

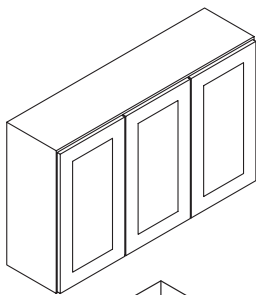
\*30"W base with single drawer is new specification, bases may ship with 2 drawers until old inventory is phased out. Replacement and special requests will not be honored regarding drawer selection.



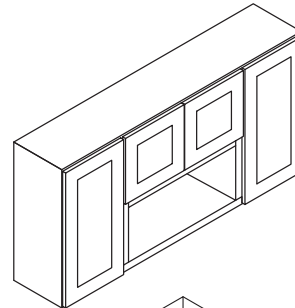
B36B



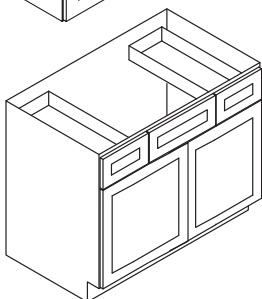
FSB36B



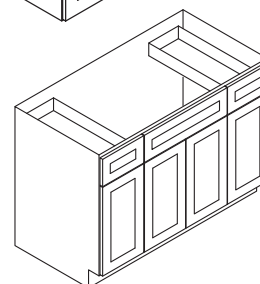
W4830D-2



W6030-OPEN



SB48D-2



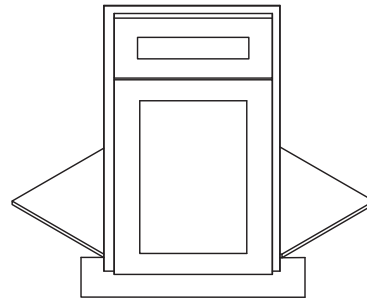
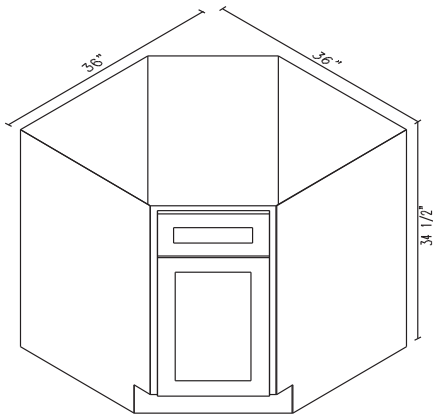
SB60B

# SPEC SHEET 5 (BASE CABINETS)

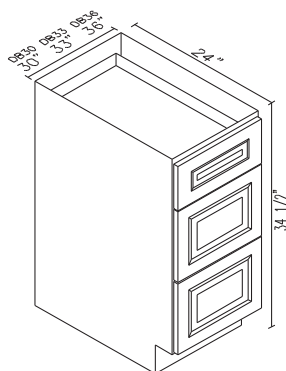
Item#	Width	Height	Depth	Door	Drawer	Shelf
<b>DB12(3)</b>	12"	34-1/2"	24"	0	3	0
<b>DB15(3)</b>	15"	34-1/2"	24"	0	3	0
<b>DB18(3)</b>	18"	34-1/2"	24"	0	3	0
<b>DB21(3)</b>	21"	34-1/2"	24"	0	3	0
<b>DB24(3)</b>	24"	34-1/2"	24"	0	3	0
<b>DB30(3)</b>	30"	34-1/2"	24"	0	3	0
<b>DB36(3)</b>	36"	34-1/2"	24"	0	3	0
<b>DB15(4)</b>	15"	34-1/2"	24"	0	3	0
<b>DB18(4)</b>	18"	34-1/2"	24"	0	3	0
<b>BDCF36</b>	36"	34-1/2"	24"	1	0	1
<b>BDCF36K-FL</b>	18"	34-1/2"	24"	1	0	0

*Drawer front, door, toe kick, and bottom panel only (36"), not full cabinet*

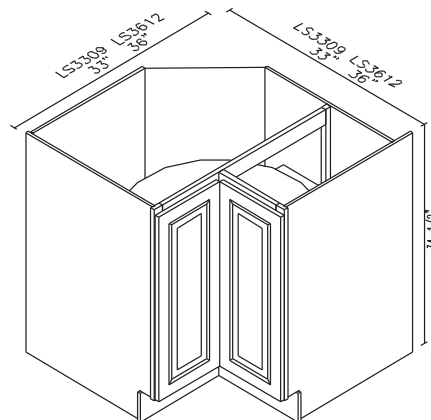
<b>LS3309</b>	33"	34-1/2"	33"	1	0	0
<b>LS3612</b>	36"	34-1/2"	36"	1	0	0
<i>Bi-Fold Door, Includes rolling trays</i>						
<b>LS3612S (EZR3612)</b>	36"	34-1/2"	36"	1	0	1
<i>EZ Reach shelf, no tray.</i>						



**BDCF36K-FL**



**DB12(3)**



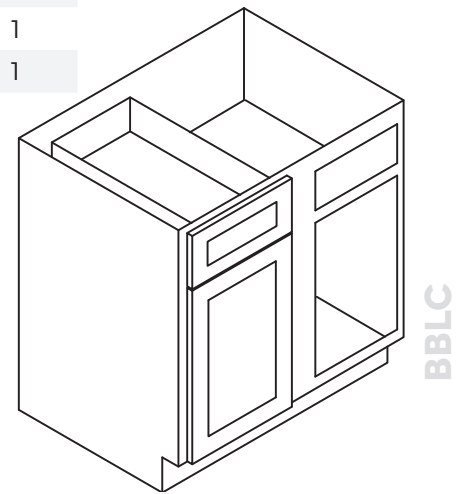
**LS3309 / LS3612**

# SPEC SHEET 6 (BASE CABINETS)



Item#	Width	Height	Depth	Door	Drawer	Shelf
<b>BBLC39/42-36" W</b>	36"	34-1/2"	24"	1	1	1
<b>BBLC42/45-39" W</b>	39"	34-1/2"	24"	1	1	1
<b>BBLC45/48-42" W</b>	42"	34-1/2"	24"	1	1	1

• Specify door Right or Left when ordering (not blind)



## BBLC39/42-36" W

(Min. Pull from: 39" W to 42" W)

Dimension	All styles
<b>A</b>	36"
<b>B</b>	11-3/4"
<b>C</b>	11-9/16"
<b>D</b>	8-7/8"
<b>E</b>	24-1/4"
<b>F</b>	13-3/4"

## BBLC42/45-39" W

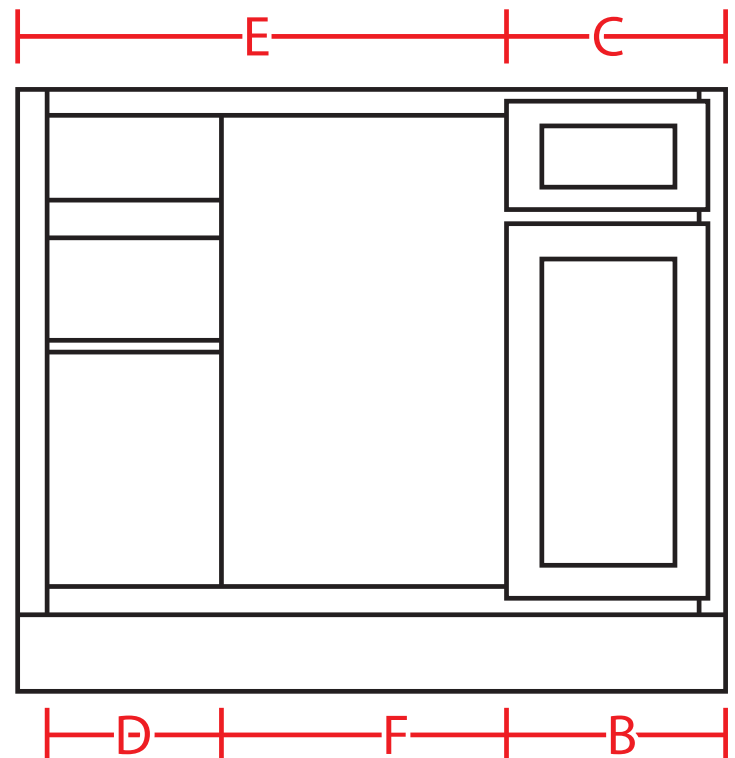
(Min. Pull from: 42" W to 45" W)

Dimension	All styles
<b>A</b>	39"
<b>B</b>	14-3/4"
<b>C</b>	14-9/16"
<b>D</b>	11-7/8"
<b>E</b>	24-1/4"
<b>F</b>	10-3/4"

## BBLC45/48-42" W

(Min. Pull from: 45" W to 48" W)

Dimension	All styles
<b>A</b>	42"
<b>B</b>	17-3/4"
<b>C</b>	17-1/2"
<b>D</b>	14-7/8"
<b>E</b>	24-1/4"
<b>F</b>	7-3/4"

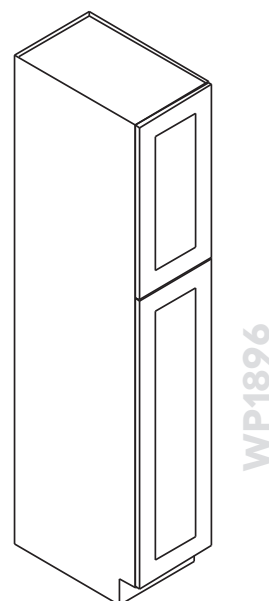


# SPEC SHEET 7 (SPECIAL CABINETS, WALL PANTRY AND OVEN CABINETS)

Item#	Width	Height	Depth	Door	Drawer	Shelf
<b>WES530</b>	5"	30"	11-1/2"	0	0	2
<b>WES536</b>	5"	36"	11-1/2"	0	0	2
<b>WES542</b>	5"	42"	11-1/2"	0	0	3
<i>WESxxxx are rounded shelves</i>						
<b>AW30</b>	12"	30"	12"	1	0	2
<b>AW36</b>	12"	36"	12"	1	0	2
<b>AW42</b>	12"	42"	12"	1	0	3
<i>AWxx Door Width is 16-7/16"</i>						
<b>BTC12R</b>	12"	34-1/2"	24 to 12"	1	0	1
<b>BTC12L</b>	12"	34-1/2"	12 to 24"	1	0	1
<b>W3018WR</b>	30"	18"	12"	0	0	0
<b>TCR21-2</b> (Fits B18 or B21)	13-3/4"	16"	21"	0	0	0
<b>WC630-12</b>	6"	30"	12"		5 cubes	
<b>WC636-12</b>	6"	36"	12"		6 cubes	
<b>WC642-12</b>	6"	42"	12"		7 cubes	

## WALL PANTRY AND OVEN CABINETS

Item#	Width	Height	Depth	Door	Drawer	Shelf
<b>WP1584</b>	15"	84"	24"	2	0	1+3*
<b>WP1590</b>	15"	90"	24"	2	0	1+5*
<b>WP1596</b>	15"	96"	24"	2	0	1+6*
<b>WP1884</b>	18"	84"	24"	2	0	1+3*
<b>WP1890</b>	18"	90"	24"	2	0	1+5*
<b>WP1896</b>	18"	96"	24"	2	0	1+6*
<b>WP2484B</b>	24"	84"	24"	4	0	1+3*
<b>WP2490B</b>	24"	90"	24"	4	0	1+5*
<b>WP2496B</b>	24"	96"	24"	4	0	1+6*
<b>OC3384B</b>	33"	84"	24"	2	3	0
<b>OC3390B</b>	33"	90"	24"	2	3	0
<b>OC3396B</b>	33"	96"	24"	2	3	1
<b>OM3384B</b>	33"	84"	24"	2	1	0
<b>OM3390B</b>	33"	90"	24"	2	1	0
<b>OM3396B</b>	33"	96"	24"	2	1	0



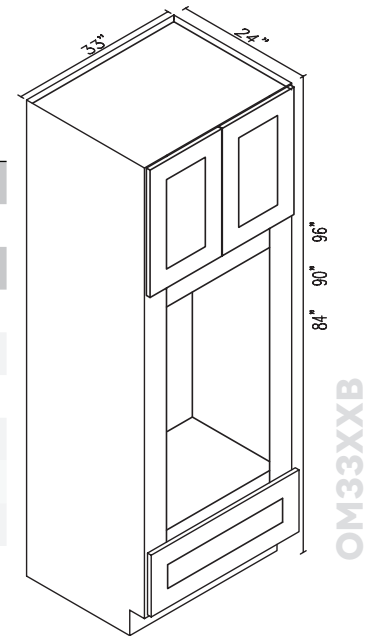
# SPEC SHEET 8 (WALL PANTRY AND OVEN CABINETS)



## WALL PANTRY DOOR SIZES\*

ALL OTHER STYLES

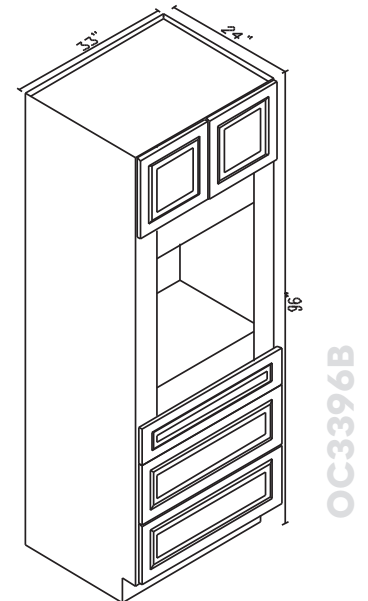
Item #	Top/Middle/Bottom Door Width	Top Door Height	Bottom Door Height
<b>WP1584</b>	14-1/2"	29-5/16"	49-1/4"
<b>WP1590</b>	14-1/2"	35-5/16"	49-1/4"
<b>WP1596</b>	14-1/2"	41-5/16"	49-1/4"
<b>WP1884</b>	17-9/16"	29-5/16"	49-1/4"
<b>WP1890</b>	17-9/16"	35-5/16"	49-1/4"
<b>WP1896</b>	17-9/16"	41-5/16"	49-1/4"
<b>WP2484B</b>	11-11/16"	29-5/16"	49-1/4"
<b>WP2490B</b>	11-11/16"	35-5/16"	49-1/4"
<b>WP2496B</b>	11-11/16"	41-5/16"	49-1/4"



## OVEN CABINET SIZES\*

ALL STYLES

Item #	Openings	Door Height	Door Width
<b>OC3384B</b>	24"W x 24"H	20-5/16"	16-1/4"
<b>OC3390B</b>	24"W x 24"H	23-5/16"	16-1/4"
<b>OC3396B</b>	24"W x 24"H	29-5/16"	16-1/4"
<b>OM3384B (W3315B DOOR)</b>	24"W x 42"H	14-1/4"	16-1/4"
<b>OM3390B (W3318B DOOR)</b>	24"W x 42"H	17-1/4"	16-1/4"
<b>OM3396B (W3324B DOOR)</b>	24"W x 42"H	23-1/4"	16-1/4"
	Top Drawer Height	2 <sup>nd</sup> & 3 <sup>rd</sup> Drawer Height	Drawer Width
<b>OM33XX</b>	6-3/4"	11-1/4"	32-1/2"



\*1+X=One fixed shelf + X adjustable shelves



# SPEC SHEET 9 (GLASS DOORS\*)

Item#	Width	Height
<b>W3012BGD (2pc)</b>	14-11/16"	11-5/16"
<b>W1530GD (1pc)</b>	14-1/2"	29-5/16"
<b>W1530MGD (1pc)</b>	14-1/2"	29-5/16"
<b>W1830GD (1pc)</b>	17-1/2"	29-5/16"
<b>W1830MGD (1pc)</b>	17-1/2"	29-5/16"
<b>W2430BGD (2PC)</b>	23-1/2"	29-5/16"
<b>W2430BMGD (2PC)</b>	23-1/2"	29-5/16"
<b>W3030BGD (2pcs/set)</b>	14-11/16"	29-5/16"
<b>W3030BMGD (2pcs/set)</b>	14-11/16"	29-5/16"
<b>W3630BGD (2pcs/set)</b>	17-11/16"	29-5/16"
<b>W3630BMGD (2pcs/set)</b>	17-11/16"	29-5/16"
<b>WDC2430GD (1pc)</b>	14-15/16"	29-5/16"
<b>WDC2430MGD (1pc)</b>	14-15/16"	29-5/16"
<b>W1536GD (1pc)</b>	14-1/2"	35-5/16"
<b>W1536MGD (1pc)</b>	14-1/2"	35-5/16"
<b>W1836GD (1pc)</b>	17-1/2"	35-5/16"
<b>W1836MGD (1pc)</b>	17-1/2"	35-5/16"
<b>W2436BGD (2PC)</b>	23-1/2"	35-5/16"
<b>W2436BMGD (2PC)</b>	23-1/2"	35-5/16"
<b>W3036BGD (2pcs/set)</b>	14-11/16"	35-5/16"
<b>W3036BMGD (2pcs/set)</b>	14-11/16"	35-5/16"
<b>W3636BGD (2pcs/set)</b>	17-11/16"	35-5/16"
<b>W3636BMGD (2pcs/set)</b>	17-11/16"	35-5/16"
<b>WDC2436GD (1pc)</b>	14-15/16"	35-5/16"
<b>WDC2436MGD (1pc)</b>	14-15/16"	35-5/16"
<b>WDC273615GD (1pc)</b>	14-15/16"	35-5/16"
<b>WDC273615MGD (1pc)</b>	14-15/16"	35-5/16"
<b>W1542GD (1pc)</b>	14-1/2"	41-5/16"
<b>W1542MGD (1pc)</b>	14-1/2"	41-5/16"
<b>W1842GD (1pc)</b>	17-1/2"	41-5/16"
<b>W1842MGD (1pc)</b>	17-1/2"	41-5/16"
<b>W2442BGD (2PC)</b>	23-1/2"	41-5/16"
<b>W2442BMGD (2PC)</b>	23-1/2"	41-5/16"
<b>W3042BGD (2pcs/set)</b>	14-11/16"	41-5/16"
<b>W3042BMGD (2pcs/set)</b>	14-11/16"	41-5/16"
<b>W3642BGD (2pcs/set)</b>	17-11/16"	41-5/16"
<b>W3642BMGD (2pcs/set)</b>	17-11/16"	41-5/16"
<b>WDC2442GD (1pc)</b>	14-11/16"	41-5/16"
<b>WDC2442MGD (1pc)</b>	14-11/16"	41-5/16"
<b>WDC274215GD (1pc)</b>	14-11/16"	41-5/16"
<b>WDC274215MGD (1pc)</b>	14-11/16"	41-5/16"

\* Cabinets sold separately

# SPEC SHEET 10 (RANGE HOODS, PANELS)



Item#	Width	Height
<b>EPW1230D</b>	11-1/2"	29-5/16"
<b>EPW1236D</b>	11-1/2"	35-5/16"
<b>EPW1242D</b>	11-1/2"	41-5/16"
<b>EPB24D</b>	23-3/4"	29-5/16"
<b>EPWP2484D—Top Door</b>	23-3/4"	29-5/16"
—Middle/bottom Doors	23-3/4"	49-1/4"
<b>EPWP2490D—Top Door</b>	23-3/4"	35-5/16"
—Middle/bottom Doors	23-3/4"	49-1/4"
<b>EPWP2496D—Top Door</b>	23-3/4"	41-5/16"
—Middle/bottom Doors	23-3/4"	49-1/4"

Item#	Width	Height	Depth	Door	Drawer	Shelf
<b>AWH36</b>	36"	24"	8"	0	0	0
<b>MWO3018PM-12"</b>	30"	18"	12"	0	0	1

Shelf Depth: 18", Opening: 14-1/8"H x 26-7/8"W

<b>15RT-DR†</b>	11"	2-7/8"	21"	0	0	0
<b>18RT-DR†</b>	14"	2-7/8"	21"	0	0	0
<b>24RT-DR†</b>	20"	2-7/8"	21"	0	0	0
<b>27RT-DR†</b>	23"	2-7/8"	21"	0	0	0
<b>30RT-DR†</b>	26"	2-7/8"	21"	0	0	0
<b>33RT-DR†</b>	29"	2-7/8"	21"	0	0	0
<b>36RT-DR†</b>	32"	2-7/8"	21"	0	0	0

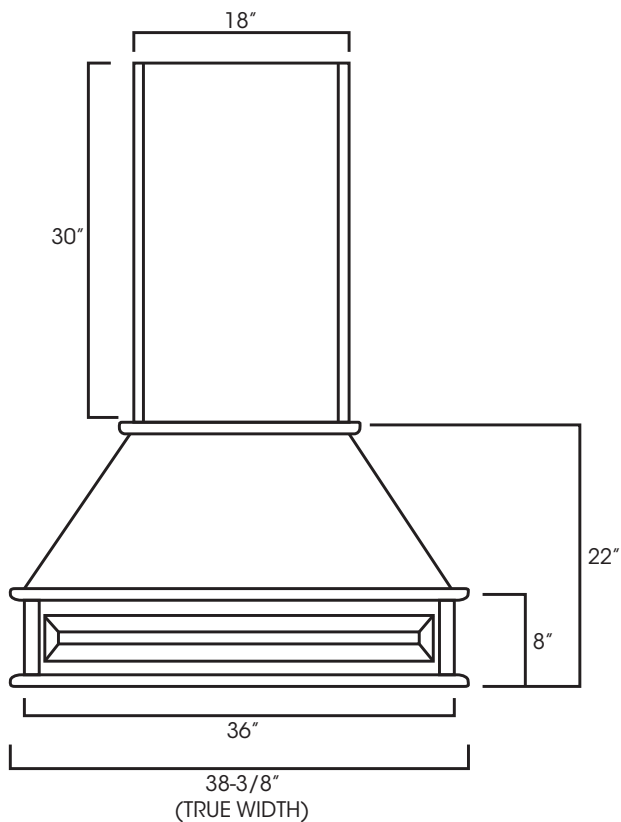
<b>DWR33412</b>	24"	34-1/2"	1/2"	1 Side Finish, 3" return (not attached)		
<b>REP2484-3/4"</b>	24"	84"	3/4"	2 Sides Finish (Banded Edge)		
<b>REP2496-3/4"</b>	24"	96"	3/4"	2 Sides Finish (Banded Edge)		
<b>REP2484(3)-3/4"</b>	24"	84"	3/4"	2 Sides Finish, 3" return (not attached)		
<b>REP2496(3)-3/4"</b>	24"	96"	3/4"	2 Sides Finish, 3" return (not attached)		
<b>REP3096(3)-3/4"</b>	30"	96"	3/4"	1 Sides Finish, 3" return (not attached)		
<b>FBP489614(1)</b>	96"	48"	1/4"	1 Side Finish (Vertical Grain)		
<b>BP48341214</b>	48"	34-1/2"	1/4"	1 Side Finish		
<b>VAS48</b>	48"	4-5/8"				

\*The back of the drawer unit will not be dovetailed after modification.

†Dovetail box

# SPEC SHEET 11 (RANGE HOODS)

Item#	Width	Height	Depth
<b>CWH36*</b>	36" (38-3/8")	22"+30"	20-1/2"



**CWH36**

\*Trimmable, All hoods will match door style

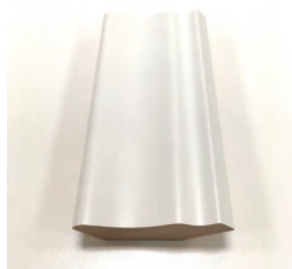
# SPEC SHEET 12 (TRIM DETAILS)



Item#	Width	Height	Depth	
<b>VAD3612</b>	36"	12" / 8"		
<b>VAD4212</b>	42"	12" / 8"		
<b>VAD4812</b>	48"	12" / 8"		
<b>VAL48B</b>	48"	6"		<i>Trimnable 6" on both sides</i>
<b>VAL54B</b>	54"	6"		<i>Trimnable 6" on both sides</i>
<b>VAL48S</b>	48"	6"		<i>Trimnable 6" on both sides</i>
<b>VAL54S</b>	54"	6"		<i>Trimnable 6" on both sides</i>
<b>CM96</b> (Plain)	2-1/2"	96"		
<b>CM96-4</b> (Plain)	4-1/2"	96"		
<b>CM96B-4</b> (Egg&Dart)	4-1/2"	96"		<i>Egg &amp; dart attached</i>
<b>CM96C-4</b> (Rope)	4-1/2"	96"		<i>Rope attached</i>
<b>CM96H-4</b>	4-1/2"	96"		
<b>CM96E-4</b>	4-1/2"	96"		
<b>CM96K-4</b> (Coved)	4-1/2"	96"		
<b>TP3/WF34-1/2"</b>	3"	34-1/2"	3"	<i>Full leg. Comes with Wall Filler 3"x34-1/2"</i>
<b>LEG28 B3x3</b> (SL ONLY)	3"	36-1/2"	3"	<i>Full leg. Must trim 2" off top or bottom.</i>
<b>LEG75 B3x3</b>	3"	36-1/2"	3"	<i>Full leg. Must trim 2" off top or bottom.</i>
<b>LEG81</b>	3"	34-1/2"	3"	<i>Full Leg</i>
<b>LEG82</b>	3"	34-1/2"	1-1/2"	<i>1/2 Leg.</i>
<b>LEG83 *</b>	3"	34-1/2"	1-1/2"	<i>1/2 Leg</i>
<b>LEG-SMALL51</b>	3"	4-1/2"	1-1/2"	<i>1/2 Leg</i>
<b>LEG-SMALL52</b>	3"	4-1/2"	1-1/2"	<i>1/2 Leg</i>
<b>POLE28-B3</b> (SL ONLY)	3"	36-1/2"	3"	<i>Must trim 2" off top or bottom</i>
<b>POLE28-W330</b> (SL ONLY)	3"	30"	2-1/4"	
<b>POLE28-W336</b> (SL ONLY)	3"	36"	2-1/4"	
<b>POLE28-W342</b> (SL ONLY)	3"	42"	2-1/4"	
<b>POLE28-T384</b> (SL ONLY)	3"	84"	2-1/4"	<i>Trimnable to different length &amp; depth</i>
<b>POLE28-T390</b> (SL ONLY)	3"	90"	2-1/4"	<i>Trimnable to different length &amp; depth</i>
<b>POLE28-T396</b> (SL ONLY)	3"	96"	2-1/4"	<i>Trimnable to different length &amp; depth</i>
<b>POLE75-B3</b>	3"	36-1/2"	3"	<i>Must trim 2" off top or bottom</i>
<b>POLE75-W330</b>	3"	30"	2-1/4"	
<b>POLE75-W336</b>	3"	36"	2-1/4"	
<b>POLE75-W342</b>	3"	42"	2-1/4"	
<b>POLE75-T384</b>	3"	84"	2-1/4"	<i>Trimnable to different length &amp; depth</i>
<b>POLE75-T390</b>	3"	90"	2-1/4"	<i>Trimnable to different length &amp; depth</i>
<b>POLE75-T396</b>	3"	96"	2-1/4"	<i>Trimnable to different length &amp; depth</i>
<b>CFC96 *</b>	3"	96"	2-1/4"	<i>Trimnable to different length &amp; depth</i>

# SPEC SHEET 12 (TRIM DETAILS)

Crown molding details applied. No installation required



**CM96**



**CM96-4**



**CM96B-4**



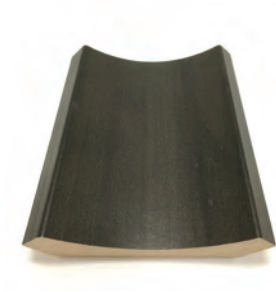
**CM96C-4**



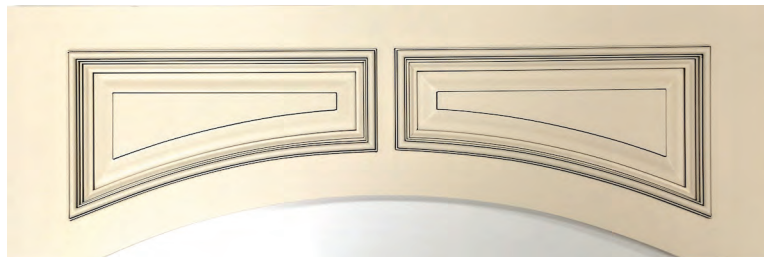
**CM96E-4**



**CM96H-4**



**CM96K-4**



**VADXXX**



**VALXXB**



**VALXXS**



**VAS48**



# SPEC SHEET 12 (TRIM DETAILS)



**TP3  
(FILLER INCLUDED)**



**LEG 81  
FULL LEG**



**LEG 82  
HALF LEG**



**LEG 83  
HALF LEG**



**LEG SMALL 51  
HALF LEG**



**LEG SMALL 52  
HALF LEG**



**LEG 28  
FULL LEG**



**POLE28-B3  
HALF LEG**



**POLE28-WFXXX  
HALF LEG**



**LEG 75  
FULL LEG**



**POLE75-B3  
HALF LEG**



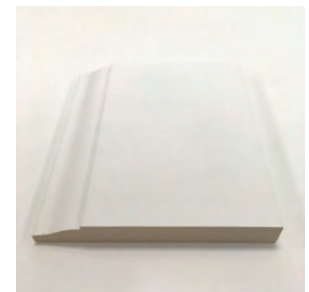
**POLE75-WFXXX  
HALF LEG**

# SPEC SHEET 13 (TRIM DETAILS)

Item#	Width	Height	Depth
<b>DOA</b>	19-7/8"	4-1/4"	
<b>CORBEL54</b>	3"	6"	4"
<b>CORBEL55</b>	3"	6"	4"
<b>CORBEL56</b>	3"	6"	4"
<b>CORBEL57</b>	3"	9"	6"
<b>CORBEL59</b>	3"	9"	6"
<b>CORBEL60S</b>	5"	10"	5"
<b>CORBEL60L</b>	7"	17"	7"
<b>CORBEL75S</b>	3-3/4"	6-1/2"	3-1/2"
<b>CORBEL75M</b>	5-1/4"	12-1/2"	4-1/2"
<b>CORBEL75L</b>	3-1/2"	12-1/2"	8"
<b>SC4</b>	3/4"	3/4"	96"
<b>SC5*</b>	1/4"	3/4"	96"
<b>SC1-3*</b>	1/4"	3/4"	96"
<b>SC6</b>	1/2"	3/4"	96"
<b>SC8</b>	1/4"	3/4"	96"
<b>LRM8*</b>	1-1/2"	1"	96"
<b>TLRM8*</b>	1-1/2"	2-1/4"	96"
<b>BM4-1/2"-5/8"*</b>	5/8"	4-1/2"	96"
<b>TK8</b>	1/4"	4-1/2"	96"



**DOA**



**BM4**



**SC1**



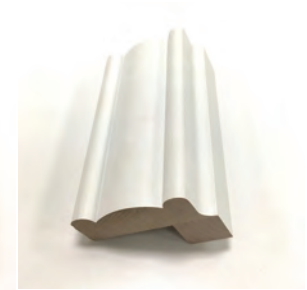
**SC4**



**SC5**



**LRM8**



**TLRM8**



SMALL: **CORBEL 54**  
LARGE: **CORBEL 59**  
Raised Center



**CORBEL 55**  
**CORBEL 58**



**CORBEL 56**  
**CORBEL 57**



SMALL  
**CORBEL 75S, 75M, 75L**  
Recessed Center



**CORBEL 60S**  
**CORBEL 60L**

# SPEC SHEET 14 (TRIM DETAILS)



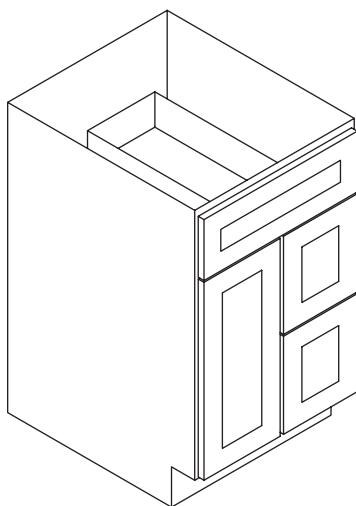
Item#	Width	Height	Depth	
<b>WF3-3/4</b>	3"	30"	3/4"	
<b>WF336-3/4</b>	3"	36"	3/4"	
<b>WF342-3/4</b>	3"	42"	3/4"	
<b>WF384-3/4</b>	3"	84"	3/4"	
<b>WF396-3/4</b>	3"	96"	3/4"	
<b>WF6-3/4</b>	6"	30"	3/4"	
<b>WF642-3/4</b>	6"	42"	3/4"	
<b>WF696-3/4</b>	6"	96"	3/4"	
<b>BF3-3/4</b>	3"	34-1/2"	3/4"	
<b>BF6-3/4</b>	6"	34-1/2"	3/4"	
<b>A30WF</b>	3"	30"	3/4"	
<b>A36WF</b>	3"	36"	3/4"	
<b>A42WF</b>	3"	42"	3/4"	
<b>A3BF</b>	3"	34-1/2"	3/4"	
<b>A6BF</b>	6"	34-1/2"	3/4"	
<b>CLB334-1/2</b>	3"	34-1/2"	24"	
<b>CLW330</b>	3"	30"	15"	<i>Trimnable to different height, width</i>
<b>CLW336</b>	3"	36"	15"	<i>Trimnable to different height, width</i>
<b>CLW342</b>	3"	42"	15"	<i>Trimnable to different height, width</i>
<b>CLW396</b>	3"	96"	27"	<i>Trimnable to different height, width</i>
<b>OLF330</b>	2-1/2"	29-1/4"	3/4"	
<b>OLF336</b>	2-1/2"	35-1/4"	3/4"	
<b>OLF342</b>	2-1/2"	41-1/4"	3/4"	
<b>OLF630</b>	5-1/2"	29-1/4"	3/4"	
<b>OLF636</b>	5-1/2"	35-1/4"	3/4"	
<b>OLF642</b>	5-1/2"	41-1/4"	3/4"	
<b>OLF384</b>	2-1/2"	78-3/4"	3/4"	
<b>OLF390</b>	2-1/2"	84-3/4"	3/4"	
<b>OLF396</b>	2-1/2"	90-3/4"	3/4"	

# SPEC SHEET 15 (VANITIES)

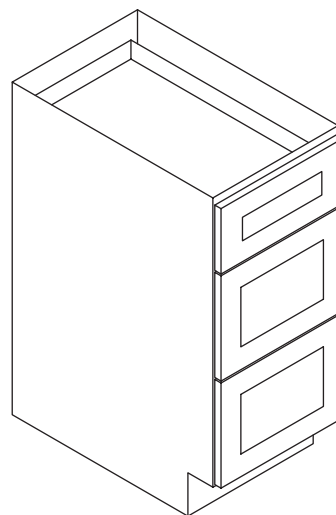
Item#	Width	Height	Depth	Door	Drawer
<b>S2421B</b>	24"	30"	21"	2	0
<b>S2421B-34-1/2"</b>	24"	34-1/2"	21"	2	0
<b>S3021B-34-1/2"</b>	30"	34-1/2"	21"	2	0
<b>S3621B-34-1/2"</b>	36"	34-1/2"	21"	2	0
<b>S3021DL-34-1/2"</b>	30"	34-1/2"	21"	1	2
<b>S3021DR-34-1/2"</b>	30"	34-1/2"	21"	1	2
<b>S3621BDL-34-1/2" *</b>	36"	34-1/2"	21"	2	2
<b>S3621BDR-34-1/2" *</b>	36"	34-1/2"	21"	2	2
<b>S4821B12D-34-1/2"</b>	48"	34-1/2"	21"	4	2

*1 B12 Left drawer and 1 B12 Right drawer, Center is SB24 with header in center*

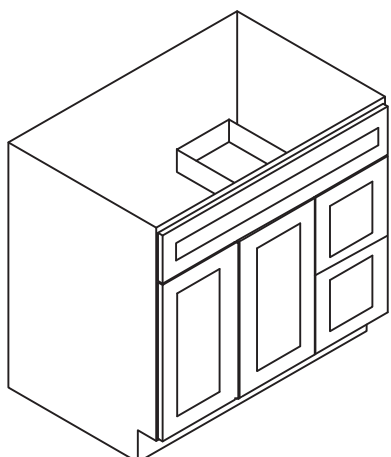
<b>SVB1221-34-1/2"</b>	12"	34-1/2"	21"	0	3
<b>SVB1521-34-1/2"</b>	15"	34-1/2"	21"	0	3
<b>SVDU3021-7"</b>	30"	7"	21"	0	0



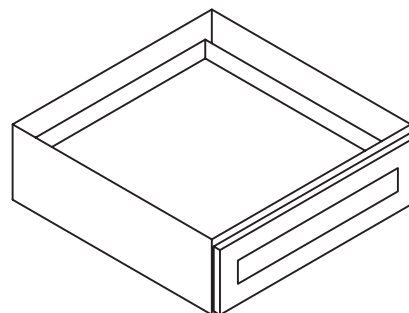
S3021DR



SVB1221/1521



S3621BDR



SVDU3021-7

\*24" doors + 12" drawer



1130 King Georges Post Road  
Edison, NJ 08837  
**T** (732) 372-7668  
**F** (732) 372-7669  
[www.tsgcabinets.com](http://www.tsgcabinets.com)